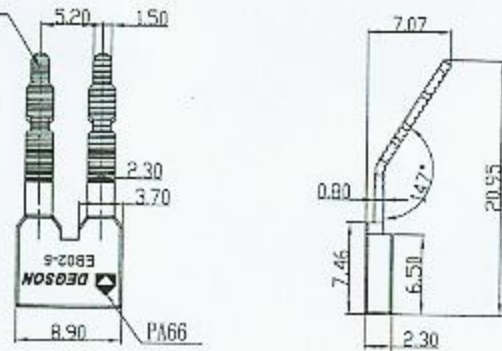
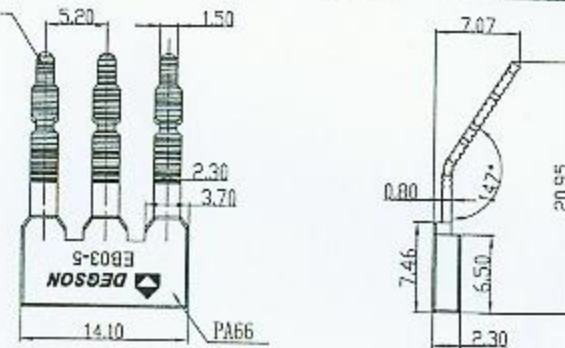


Material: Brass  
Plating: SnCe



P=2 (自制)

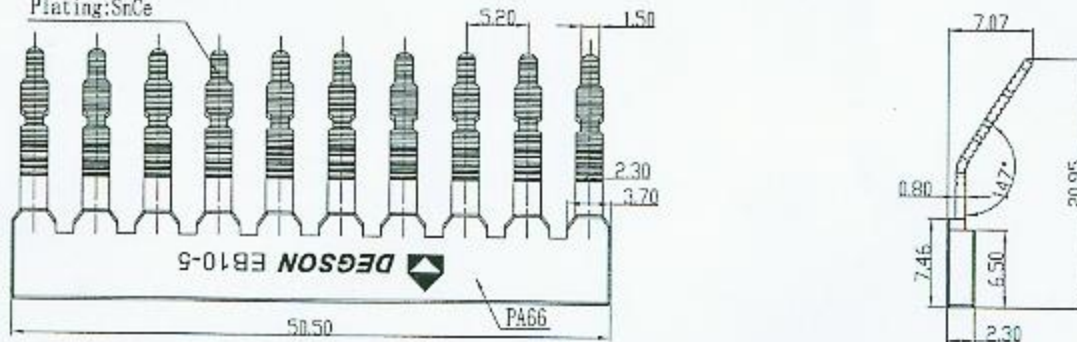
Material: Brass  
Plating: SnCe



P=3 (自制)

REVISION RECORD				
REV	ECN	DESCRIPTION	DRFT	DATE
△		2P/3P外购转自制	YHG	12/16/09

Material: Brass  
Plating: SnCe



P=10 (自制)



Notes:

1. Undimensioned Tolerances:

Pitch range in mm		Nominal dimension range in mm						
	over 8	over 10	over 10	over 30	over 60	over 100	over 150	
to	to	to	to	to	to	to	to	
6	10	24	30	60	100	150		□
±0.10	±0.15	±0.25	±0.2	±0.3	±0.5	±0.7	±1.0	□□□□□

1	EBXX-5-Wrap Housing	6004LOYXXA(H)	1	PA66	UL94V-0
ITEM	NAME OF PART	NO. OF PART	Q'TY	MATERIAL	NOTES
MM INCH	DATE 11/27/09	DATE 12/16/09	DEGSON 宁波正德电子有限公司 DEGSON ELECTRONICS CO., LTD		
TOLERANCES EXCEPT AS NOTED		DATE 12/16/09	NAME XX=2, 3, 10		
MM	DATE 12/16/09	DRAWING NO. EBXX-3-E01			
0.2		/PART NO.			
0.5		DO NOT SCALE DRAWING			
0.8		SHEET 1 OF 1			
1.2					
1.5					
2.0					
3.0					
4.0					
5.0					
6.3					
8.0					
10.0					
12.5					
16.0					
20.0					
25.0					
31.5					
40.0					
50.0					
63.0					
80.0					
100.0					
125.0					
160.0					
200.0					
250.0					
315.0					
400.0					
500.0					
630.0					
800.0					
1000.0					