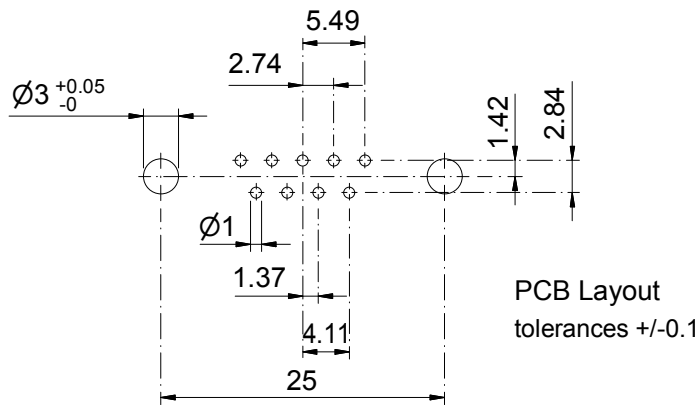
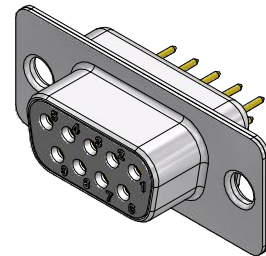
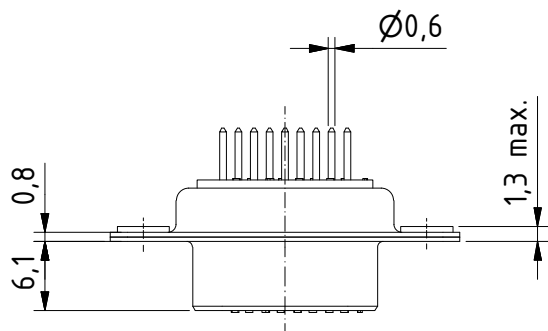
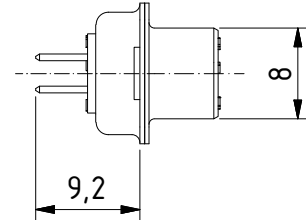
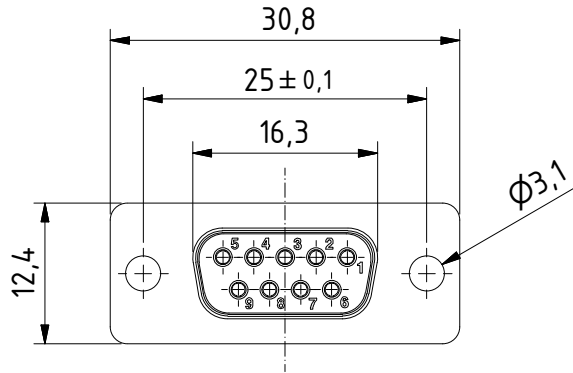


RoHS compliant



**MATERIALS**

- Insulator: Thermoplastic UL 94-V-0 white
- Contact: Copper alloy
- Contact finish: Quality class 2
- Shell: steel tin plated

**CHARAKTERISTICS**

- Working voltage: 125V
- Current rating: 5A
- Contact resistance: max. 10mΩ - DIN41652
- Insulation resistance: >5GΩ
- Temperature range: -55° to +125°C

General tolerances (Deltron standard)			
size in mm	> 0.5 up to 3	> 3 up to 6	> 6 up to 30
	> 30 up to 120		
Tolerances	±0.1	±0.2	±0.3

modification	Rev.	Rev.	Rev.	DE002146 part no.		
	Rev.	Rev.	Rev.			
DTS09SY/2	1.5:1 scale	drawn	21.07.2011	nf		
		checked				
		approved				
 Industrie Neuhof 8c CH-3422 Kirchberg				K060752 drawing no.		