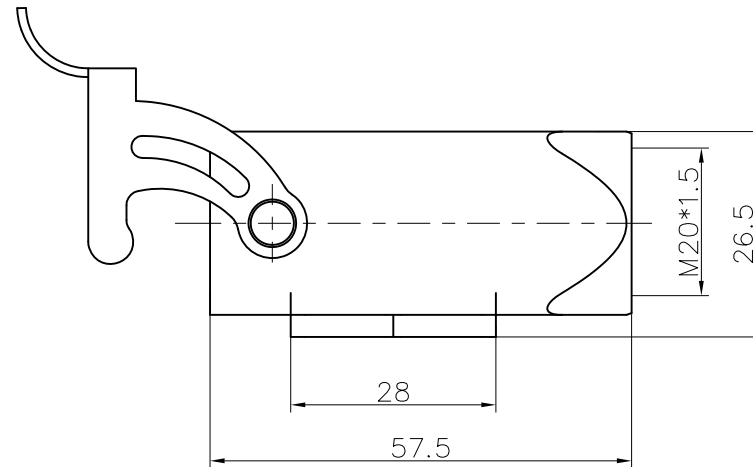
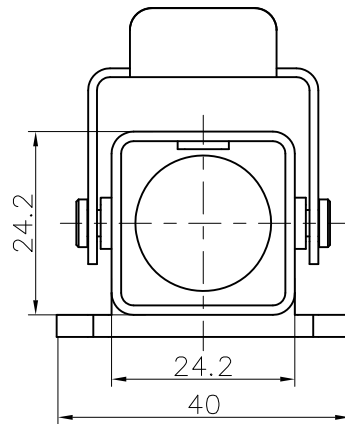
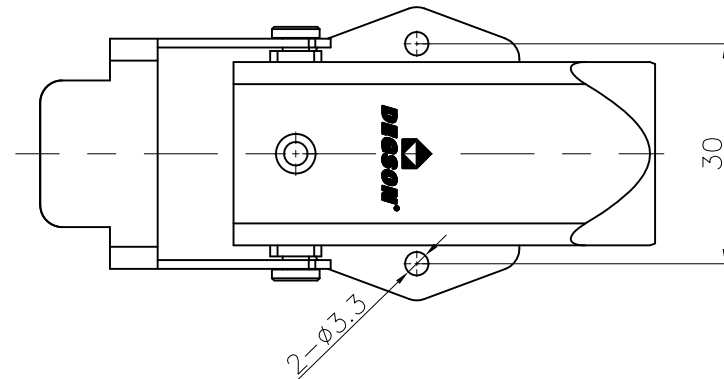
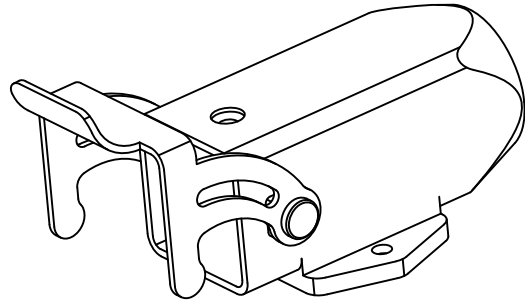


| REVISION RECORD | | | | |
|-----------------|-----|-------------|------|------|
| REV | ECN | DESCRIPTION | DRFT | DATE |
| | | | | |



Housings Feature:

1. Material: Zinc die-cast (Housings)
2. Colour: Grey (RAL7037)
3. Locking element, Lever type: Lever
4. Material: Metal zinc-plated (Lever)
5. Housings Seal: NBR
6. Limiting temperatures: -40°C ~ +125°C
7. Flammability acc. to UL94: V0
8. Degree of protection acc. to DIN EN 60529 for coupled connector: IP65
9. Rohs Compliance

| | | | | | |
|----------------|---------------------------|-------------------------|-------|-----|---|
| DETACHED LISTS | PART NO.: | / | | | 宁波高松电子有限公司 NINGBO DEGSON ELECTRICAL CO., LTD |
| | APPD: | NAME: | | | |
| | CHKD: | D3A-SF-1L-M20 | | | |
| | DRFT: Mr. Yang 2016.08.08 | TITLE: CUSTOMER DRAWING | REV | DO | |
| | THIRD ANGLE PROJECTION | DRAWING NO.: | SHEET | 1/1 | |
| | MM (INCH) | DO NOT SCALE DRAWING | SCALE | | |