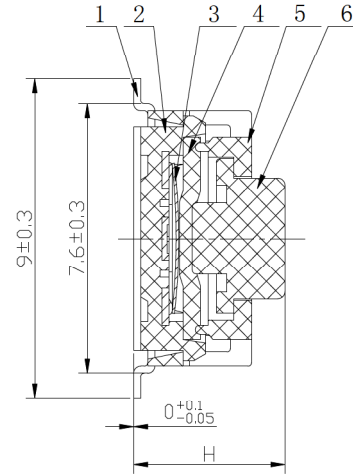
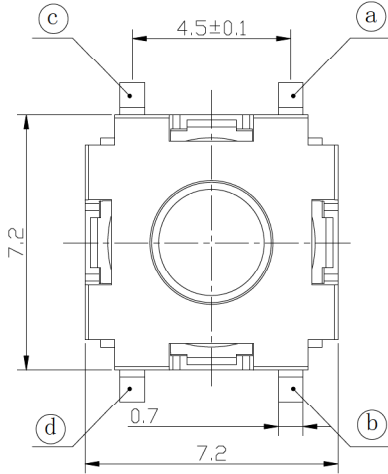


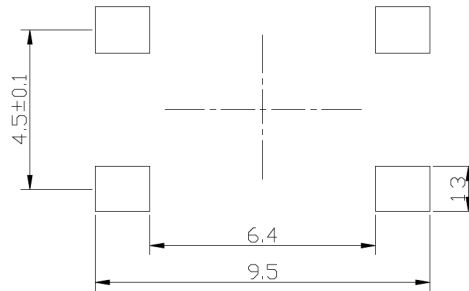
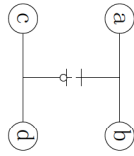
APPROVAL SPECIFICATIONS

CUSTOMER	CUSTOMER'S P/N	GYE'S P/N	PRODUCT	REVISION
		KSS7WE11AT	TACT SWITCH	A



安装位置

电路图



General tolerance: $\pm 0.2\text{mm}$ $H=4.3\pm 0.2\text{mm}$

NO.	NAME	MATERIAL	NATIONALITY	QTY.	FINISHING
1	TERMINAL	Brass	China	1	Silver plating
2	CASE	LCP	JAPAN	1	GRAY
3	CONTACT	Phosphor bronze	Korea	1	Contact side silver plating
4	RUBBER GASKET	SILICONE RUBBER	China	1	Black
5	COVER	PA9T	JAPAN	1	Black
6	STEM	PA9T	JAPAN	1	GRAY

APPROVE BY	廖明谷 17.06.01	CHECKED BY	薛益 17.06.01	PRPARE BY	孙高高 17.06.01
------------	--------------	------------	-------------	-----------	--------------