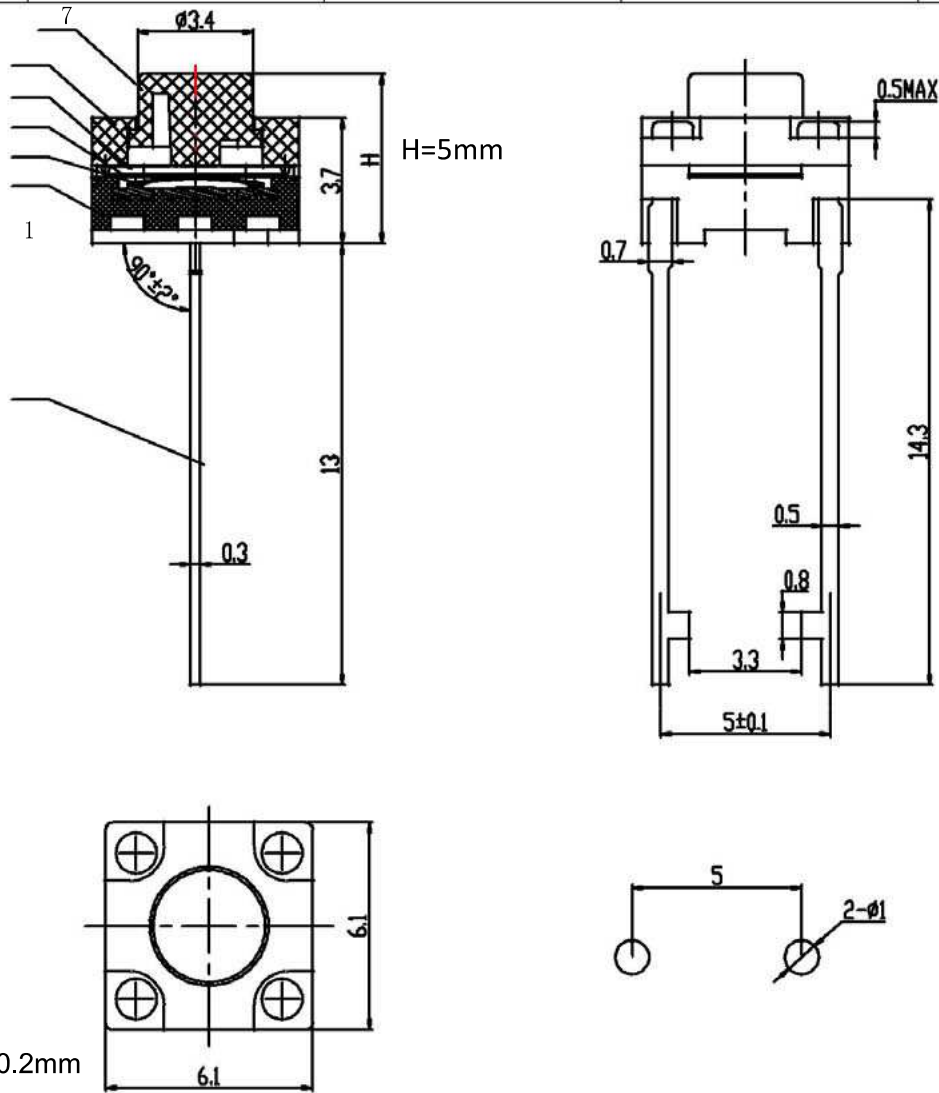


CUSTOMER	CUSTOMER'S P/N	GYE'S P/N	PRODUCT	REVISION
		KAN0656-0501B	TACT SWITCH	A



General tolerance: $\pm 0.2\text{mm}$

NO.	NAME	MATERIAL	NATIONALITY	QTY.	FINISHING
1	TERMINAL	Brass	China	1	Silver plating
2	CASE	PA66	China	1	Black
3	CONTACT	SUS	Japan	1	Ag plating
4	Waterproof membrane	PI	China	1	Yellow
5	Rubber pad	SILICONE RUBBER	China	1	Black
6	COVER	PA66	China	1	Black
7	STEM	PA66	China	1	

APPROVE BY	廖明谷 17.06.01	CHECKED BY	薛益 17.06.01	PRPARE BY	孙高高 17.06.01
------------	--------------	------------	-------------	-----------	--------------