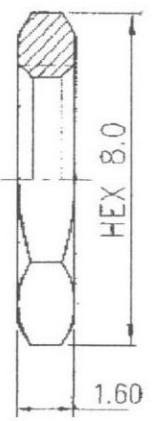
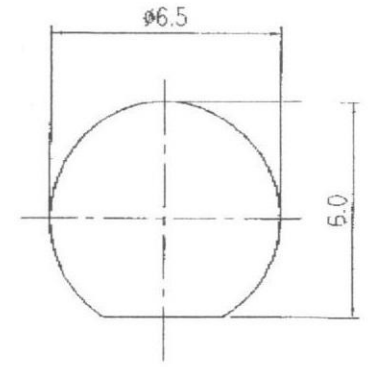
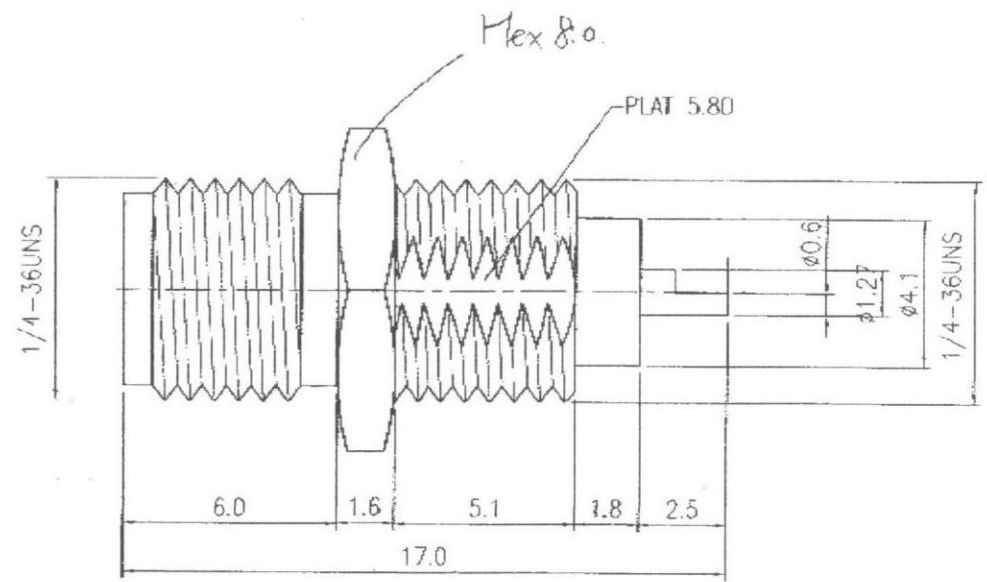
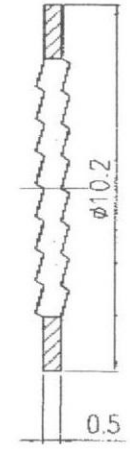


REVISIONS		
ISS	ZONE	DESCRIPTION \ PER REQUEST \ DATE

6.NUT



5.WASHER



7	6	5	4	3	2	1	UNITS	SCALE
	NUT	BRASS	GOLD	1	N-H8-1436-1.6		mm	5/1
	WASHER	BRASS	GOLD	1	W-1436-10.2B		Unless Otherwise Specified Tolerance	
	SLEEVE	BRASS	GOLD	1	E-5.0/4.12-1.1		ANGLES = ± 3'	
	PIN	P.Bronze	GOLD	1	C-09051-PB		0.5-6 = ± 0.1	
	INSULATOR	TEFLON	NONE	1	T-09025-12.5		6-40 = ± 0.2	
	BODY	BRASS	GOLD	1	B-09073B		40-120 = ± 0.6	
ITEM	DESCRIPTION	MATERIAL	FINISH	Q'TY	PART NUMBER		120-315 = ± 1.0	
							ABOVE 315 = ± 1.5	



TITLE		SMA FEMALE BKD FRONT MOUNT		
DRAWING NO.		REV.	A	
CUSTOMER P/N	SMA914	REV.		
APPROVAL	CHECKED	DRAWN	DATE	
Johnson	Jason	JB	2016/08/01	