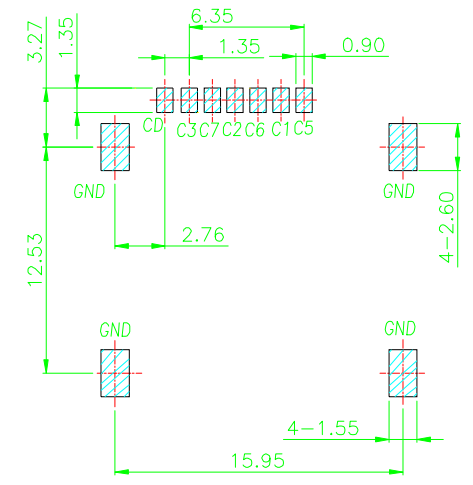
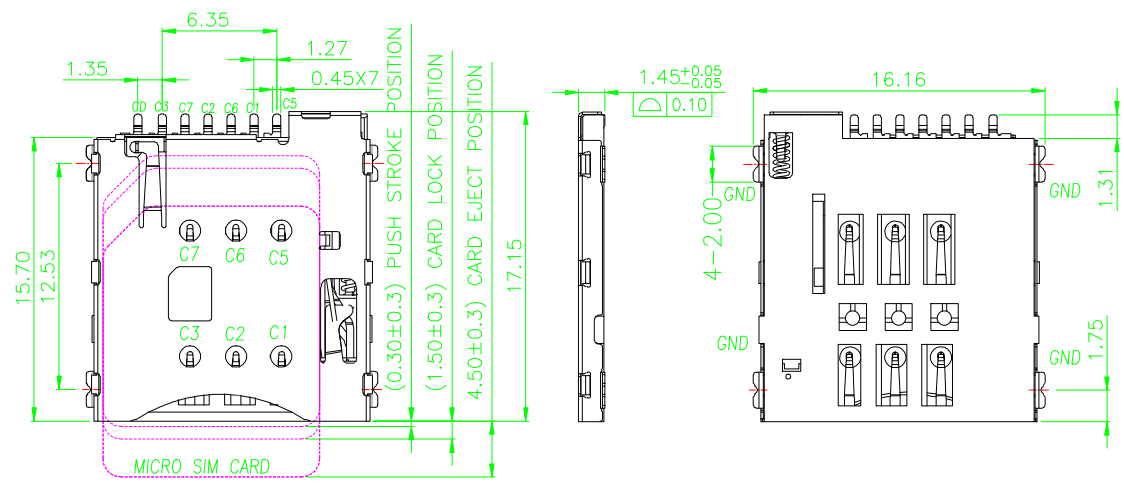
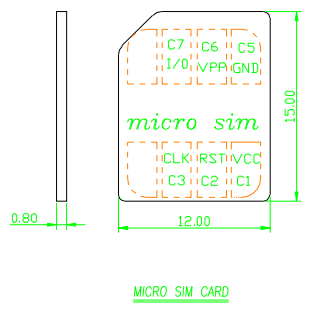
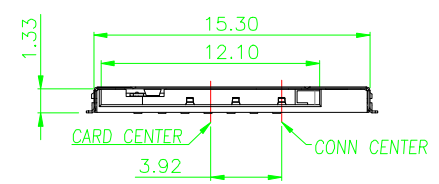


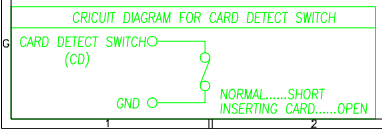
REV.	ECN.NO.	MODIFY.CONTENT	DATE
A		NEW	2016/03/13



■ CIRCUIT TRACE KEEP OUT AREA  
■ SMT SOLDER AREA  
 THERE SHOULD NOT BE ANY CIRCUITRIES IN THE LAYOUT SPACE OF THE PRODUCTS.  
RECOMMENDED PCB LAYOUT  
 GENERAL TOLERANCE ±0.05



NOTES:  
 1)MATERIAL:  
 HOUSING: LCP, PLASIC UL 94V-0  
 CONTACT: COPPER ALLOY  
 SHELL: STAINLESS STEEL  
 2)FINISH:  
 CONTACT: GOLD FLASH PLATED ON CONTACT AREA;  
 GOLD FLASH PLATED ON SOLDER TAILS,



SIM pin Assignment	
PIN#	Name
C1	VCC
C2	RST
C3	CLK
C5	GND
C6	VPP
C7	I/O

GENERAL TOLERANCE		DWG NO.	LZA0725-001	APPD:	WIND	Scale	1:1
C1	X.±0.45	x.'±5'	Title	MICRO SIM CARD PUSH PUSH 7PIN 1.45H 帶CD PIN(啟動型)	CHKD:	UNIT	mm
C2	.X±0.35	.x'±2'					
C3	.XX±0.25	.xx'±1'	Part No.	ASMFS160A01BR128	Date	2017/03/13	
C5	.XXX±0.15	.xxx'±0.5'					
SHEET 1/1		<p style="text-align: center;"><b>东莞市捷圣泰电子科技有限公司</b>  <b>Dongguan JASSTA Electronics Co., LTD</b></p>					