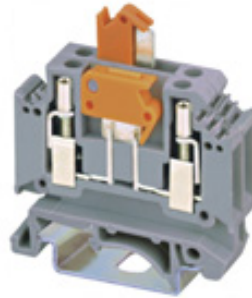




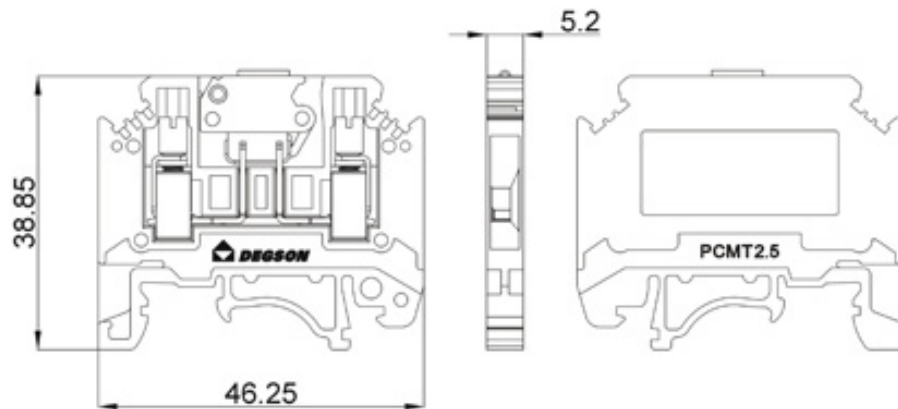
DEGSON ELECTRONICS CO., LTD.

Product Specification

CE



PCMT 2.5



Capability		
Approval		
Standard	UL	IEC
Rated Voltage	300V	400V
Rated Current	16A	16A
Wire size	24-12AWG	0.2-2.5mm ²
T/W/End plate	5.2/46/1mm	
Height _{mm} (NS35:7.5/NS35:15/NS32)	51.5/59/56mm	
Rated Surge Voltage/Contamination Class	6KV/3	
Stripping Length	7mm	
Screw Thread/Tightening Torque	M3/0.5N.m/4.5Lb-in	
Internal Cylindrical Gage	A3	
Insulating Material/Inflammability Class	PAV-0	

Specification	Model	Pieces
(1) Knife Disconnect Terminal Block	PCMT2.5	50
(2) End Cover	D-PCMT2.5	50
(3) Fixed Bridge		
2-P		
3-P		
5-P		
10-P		
(4) Step Bracket		
(5) Insertion Bridge		
2-P		EBL 2-5
3-P		EBL 3-5
10-P		EBL 10-5
(6) Isolator Bridge Bar, 10 P		
(7) Bridge Bar Isolator		
(8) Switching Bridge		
(9) Separating Plate		
(10) Separating Plate, Width:1.5mm	ATS-MTK	50
(11) Test Plug Socket		
(12) Test Plug Socket, Insulated		
(13) Zack Strip	ZB5	

HOW TO ORDER:

PCMT 2.5 — P — 1 —

X	X	X
Customer Request		

1 Gray	4 Green	7 Trans-parent
2 Blue	5 Orange	8 Yellow
3 Black	6 Red	9 White

Series No. No. of Pole Color

			DEGSON ELECTRONICS CO., LTD.
NAME		PCMT 2.5	