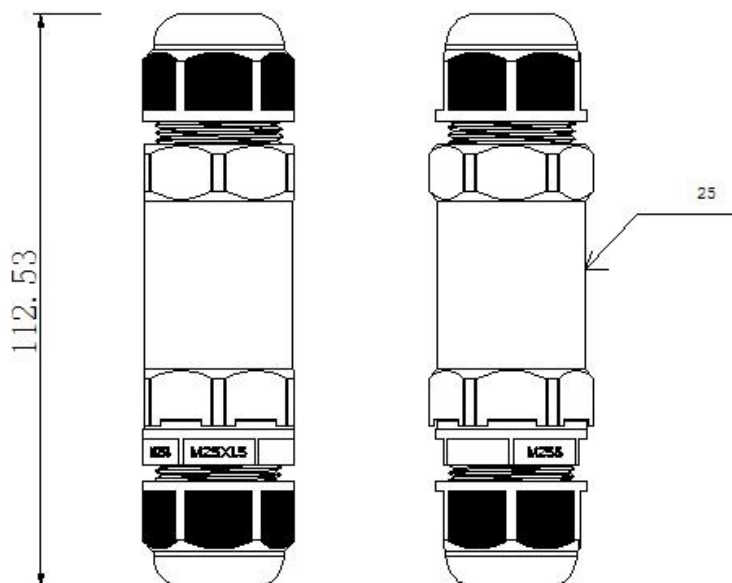
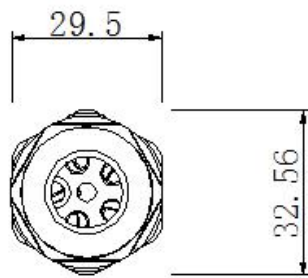


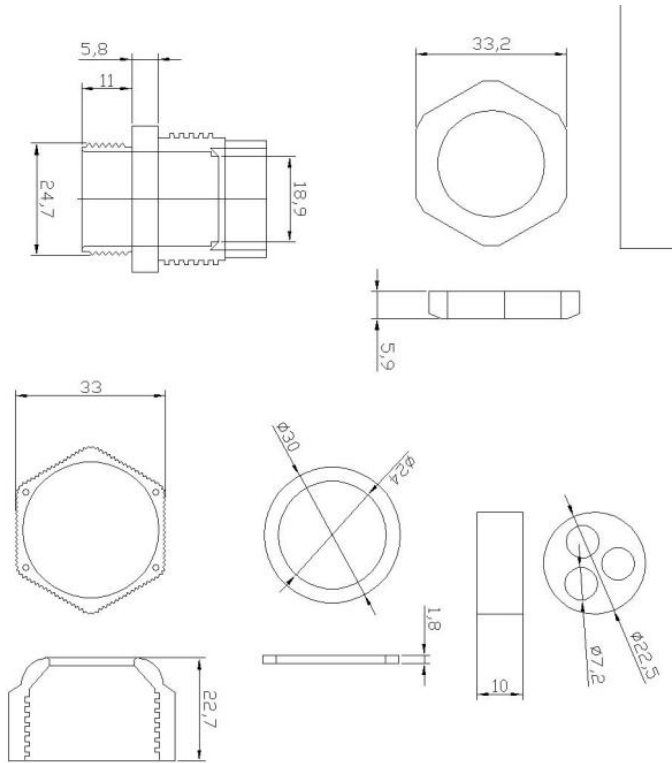
Greenway

M685 ONE IN Three OUT Type Specification

Model	M685 ONE IN TWO OUT Type
Color	Black
Voltage	24A 450VAC
Housing Material	PP, 94V-2
Working Temperature	T100
Core Insert	2 pin / 3 pin / 4 pin / 5 pin
Cable diameter	ONE IN 4-8mm/8-12mm/10-14mm, TWO OUT 5mm
IP Code	IP68
Certificates	TUV CE RoHS



Three cable Gland Size



Detailed Images

