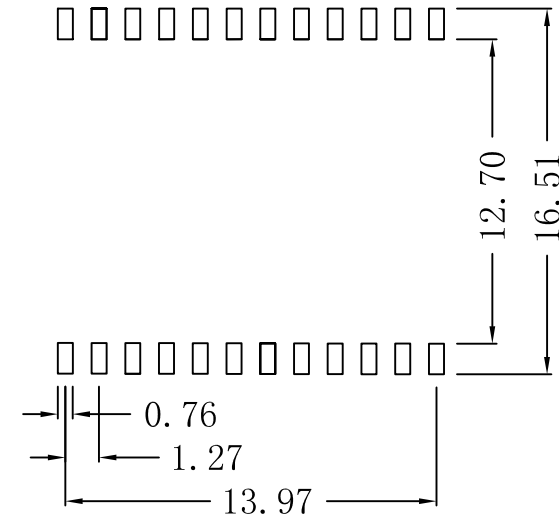
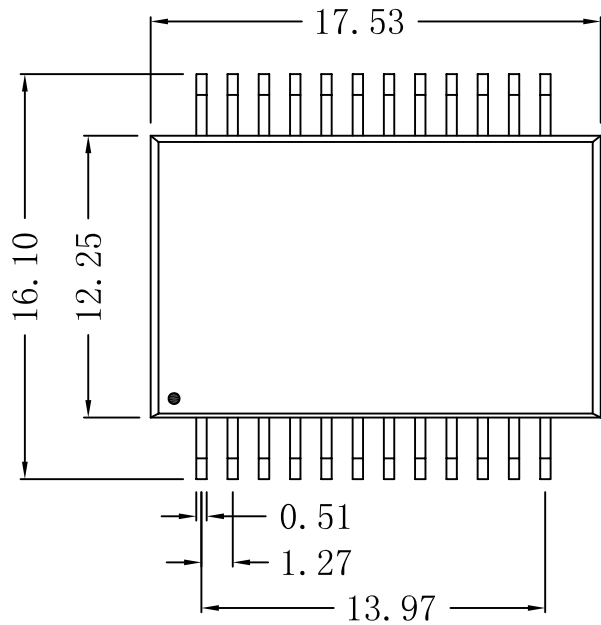
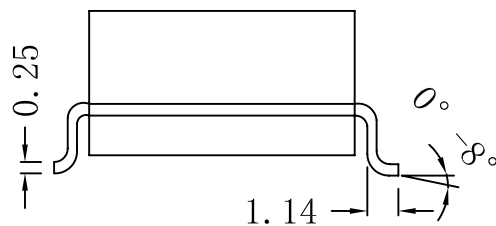


**Mechanical:**

REV.	ECN NO.	DESCRIPTION	DATE	APPD
A	REL		06/11/2009	



SUGGESTED PAD LAYOUT



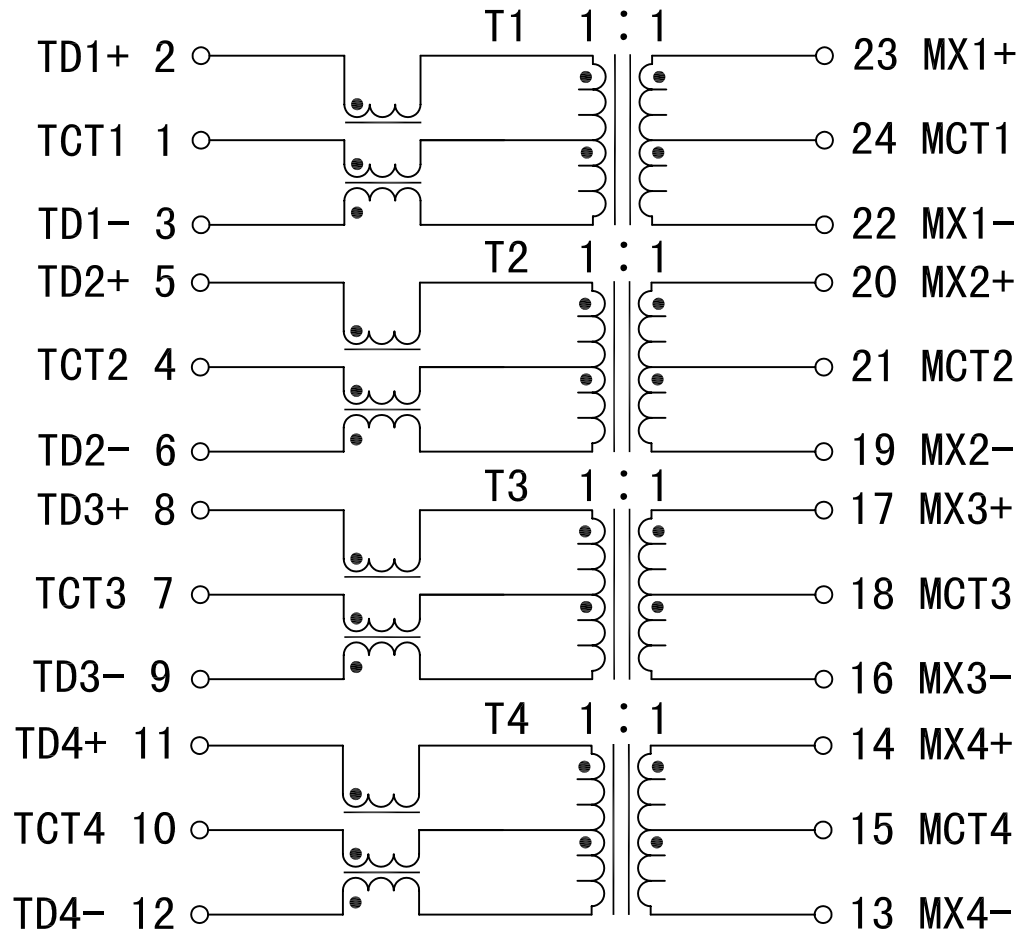
NOTES:

1. Gigabit Transformer Modules With Power Over Ethernet Option
2. Exceeds IEEE 802.3at requirements with up to 1Amp supply current over 2 or 4 pairs
3. For RoHS part add suffix NL
4. RoHS "NL" peak solder rating 245°C (+0/-5°C).

X:X	±0.20	APPD:	LINK-PP INT'L TECHNOLOGY CO., LIMITED	
X:XX	±0.10	CHKD:	Title: 1000Base-T Magnetic Modules & PoE	
X:XXX	±0.05	DR: TOM	PART NO.: LP6096ANL	
ANGLES	±1°	UNIT: mm		
	SCALE: 2/1	SHEET: 1/2	REV: A	DWG NO.: LP09110603

# Schematic:

REV.	ECN NO.	DESCRIPTION	DATE	APPD
A	REL		06/11/2009	



## Electrical Specification @25°C

- Insertion Loss (dB Max):
  - 0.1MHz: -1.2
  - 1-125MHz: -2.0
- Return Loss (dB Min):
  - 1-40MHz: -16
  - 40-100MHz: -10
- CMRR (dB Min):
  - 30MHz: -30
  - 200MHz: -15
- DCR Balance:  $1\Omega \pm 0.05\Omega$
- OCL:
  - (1) 350uH Min @20mA DC Bias
  - (2) 120uH Min @30mA DC Bias
- Temperature rise of 35°C when supplying 1 Amp continuous over 4 pairs
- HI-POT: 1500Vrms
- Operating Temperature: -40~+85°C.



X:X	±0.20	APPD:	LINK-PP INT'L TECHNOLOGY CO., LIMITED	
X:XX	±0.10	CHKD:	Title: 1000Base-T Magnetic Modules & PoE	
X:XXX	±0.05	DR: TOM		
ANGLES	±1°	UNIT: mm	PART NO.: LP6096ANL	
	SCALE: 2/1	SHEET: 2/2	REV: A	DWG NO.: LP09110603