

# SPECIFICATION FOR APPROVAL

## 产品承认书

CUSTOMER: \_\_\_\_\_

CUSTOMER NO. : \_\_\_\_\_

CZT PART NO. : YSG3429 \_\_\_\_\_

DESCRIPTION : 10/100/1000 BASE-T TRANSFORMER MODULES \_\_\_\_\_

ATTACHMENT :

SPECIFICATION Rev: A

SAMPLE Q' TY OF SAMPLES \_\_\_\_\_ PCS

CUSTOMER APPROVAL  
(客户承认章)

CZT APPROVAL  
(公司承认章)

SALES BY:

SALES BY:

QA. DEPT:

CHECKED BY:

ENG. DEPT:

APPROVAL BY:

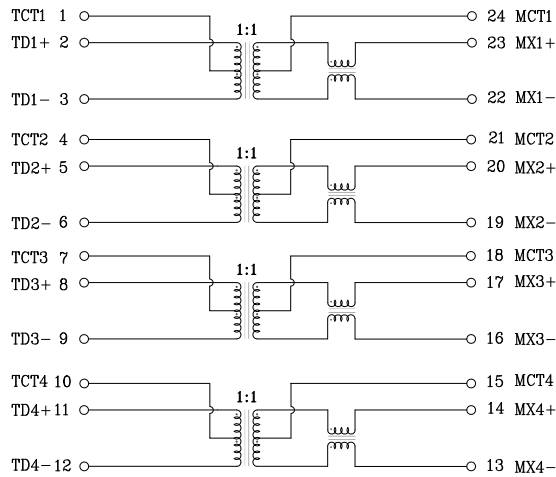
PLEASE REPLY THIS SHEET TO US AFTER SIGNATURE (请签字后回传本页)

## 1.ELECTRICAL SPECIFICATIONS @25°C

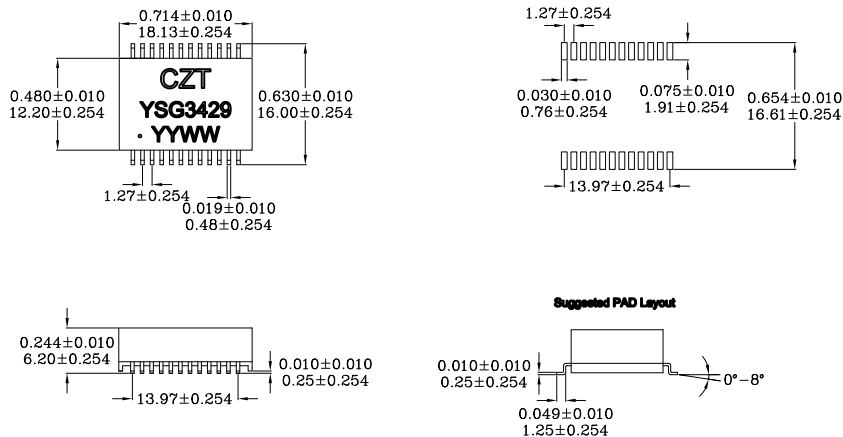
- 1.1 OCL: 350 uH Min @ 100 KHz, 0.1V with 8mA DC Bias
- 1.2 Leakage Inductance: 0.5uH Max @ 100KHz, 0.2V
- 1.3 Cw/w: 28 pF Max @ 100KHz, 0.2V
- 1.4 DCR: 1.2 Ω Max
- 1.5 Turns Ratio: 1CT:1CT
- 1.6 Polarity: 2-23,5-20,8-17,11-14 In-Phase
- 1.7 Insertion Loss: -1.0 dB Max. @ 0.3-100 MHz
- 1.8 Return Loss:
  - 18 dB Min. @ 1-30 MHz
  - 14 dB Min. @ 30-60MHz
  - 12 dB Min. @ 60-80 MHz
  - 10 dB Min. @ 80-100 MHz
- 1.9 Cross Talk:
  - 45 dB Min @ 1-30 MHz
  - 35 dB Min @ 30-60 MHz
  - 30 dB Min @ 60-100 MHz
- 1.10 Common Mode Rejection : -40 dB Min@ 1-30 MHz
  - 35 dB Min @ 30-60 MHz
  - 30 dB Min @ 60-100 MHz
- 1.11 Isolation HI-POT: 1500Vrms 2mA 60Second
- 1.12 Operating temperature 0°C to +70°C
- 1.13 Storage temperature -25°C to +85°C

<b>DRAWN BY:</b>	<b>CHECKED BY:</b>	<b>APPROVAL BY:</b>	<b>CUSTOMER BY:</b>
			<b>CZT PART NO. :YSG3429</b>
<b>CZT</b>	<b>SuZhou Yihua Communicated Connector Co.,Ltd</b>	<b>REV. A</b>	
		<b>PAGE:1/3</b>	

2. Schematic:



3. Dimensions & Marking:



DRAWN BY:

CHECKED BY:

APPROVAL BY:

CUSTOMER BY:

CZT PART NO. : YSG3429

CZT

SuZhou Yihua Communicated Connector Co., Ltd

REV. A

PAGE: 2/3