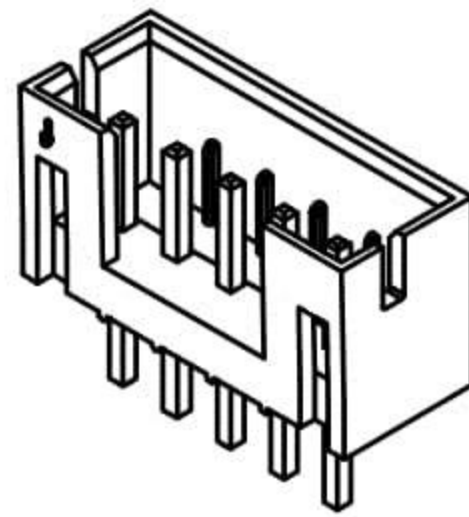


P. C. B LAYOUT



Poles	Dimensions mm	
	A	B
2	2.00	6.00
3	4.00	8.00
4	6.00	10.00
5	8.00	12.00
6	10.00	14.00
7	12.00	16.00
8	14.00	18.00
9	16.00	20.00
10	18.00	22.00
11	20.00	24.00
12	22.00	26.00
13	24.00	28.00
14	26.00	30.00
15	28.00	32.00
16	30.00	34.00
17	32.00	36.00
18	34.00	38.00
19	36.00	40.00
20	38.00	42.00

Specifications

- 1 Poles: 2 to 20P
- 2 Current rating: 2.0A AC, DC
- 3 Voltage rating: 100V AC, DC
- 4 Temperature range: -25°C to +85°C
- 5 Contact resistance: ≤10mΩ
- 6 Insulation resistance: ≥1000MΩ
- 7 Withstand voltage: 800V AC/minute
- 8 Applicable wire: AWG #30 to #24
- 9 Applicable PC board thickness: 0.8~1.6mm

2		Wafer	Brass Tin	N		
1		Housing	PA66 (UL94V-0/V-2)	1	White	
		SNA2001-WVXX				
		X.° ±3° X.X° ±0.5°				
>0-3	>3-18	>18-50	>50-120	Design Units		SIZE
±0.12	±0.15	±0.3	±0.5	MM Only	METRIC	A4
						