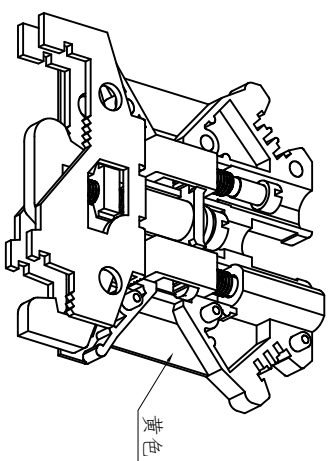
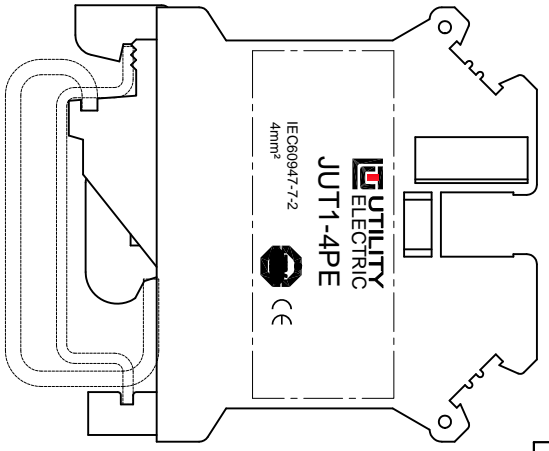
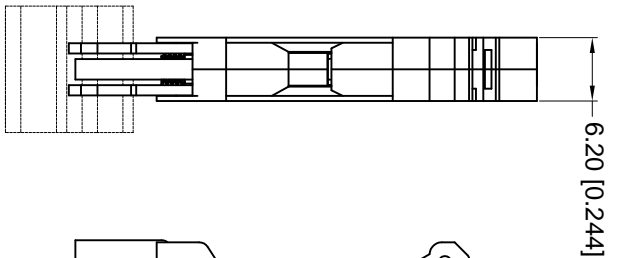
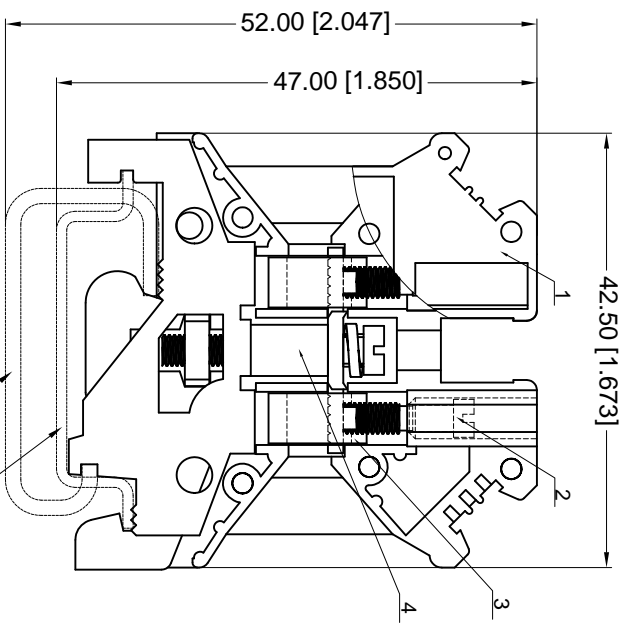


REV.	REVISE NO.	REVISER	APPD.
版次	ECN NO.	修订者	核准
R1	ECN 编号	DRAWING	



Technical Data

Material:

- Body: PA66 UL94 V-0.
- Screw: Brass, Nickel Plated.
- Conductor: Brass, Tin Plated.
- Block: Brass, Nickel Plated.

Electrical:

- Current rating: IEC 32A;
- Contact resistance: 20 mΩ Max.

Mechanical:

- Torque: 0.6 N.m Max.
- Connection Capacity: 24-14 AWG.
- Stripping Length: 7mm.
- Operating temperature: -45° C to +105° C.



ZHEJIANG UTILITY ELECTRICAL CO., LTD
浙江尤提乐电气有限公司

TYPE NO.	JUT1-4PE	TITLE	名称:	Customer Drawing
>120	±0.50	型号:	JUT1-4PE	名称: Customer Drawing
>30~120	±0.30	APPD.		DWG. NO.: DW0168-0
>6~30	±0.20	核准:		图号:
0~6	±0.10	CHKD.		SCALE: FULL
MAT'L	材质:	DR.	Jammy. ling	UNIT: mm[inch]
		设计:		REV.: R1
		审核:		版本:
		角度:	±1°	