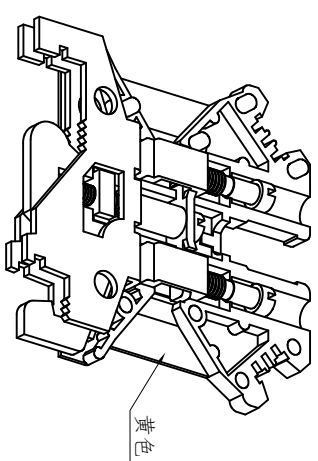
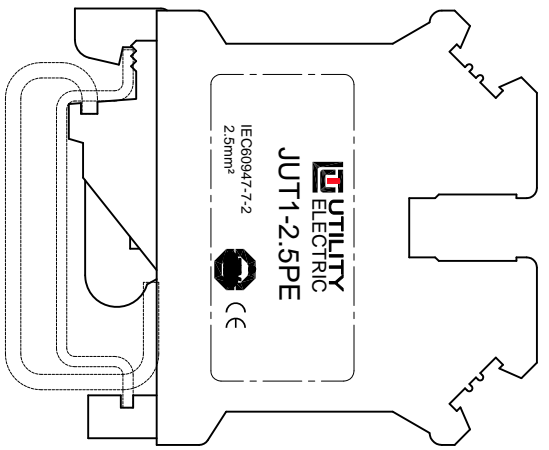
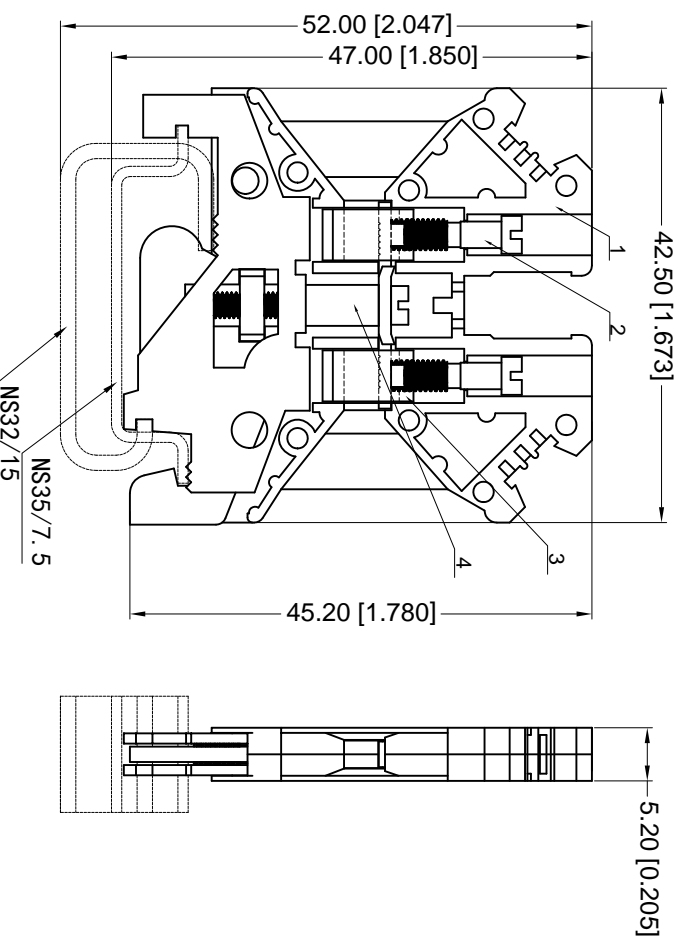


REV. 版本	ECON. NO. 版本号	REVISE. NO. 次数	REVISER 修订者	APPD. 核准
R1	DRAWING			



Technical Data

Material:

- Body: PA66 UL94 V-0.
 - Screw: Brass, Nickel Plated.
 - Conductor: Brass, Tin Plated.
 - Block: Brass, Nickel Plated.
- #### Electrical:
- Current rating: IEC 32A;
 - Contact resistance: 20 mΩ Max.
- #### Mechanical:
- Torque: 0.6 N.m Max.
 - Connection Capacity: 24-14 AWG.
 - Stripping Length: 7mm.
 - Operating temperature: -45° C to +105° C.

ITEM 序号	NAME 名称	PART. NO. 零件编号	Q'TY 数量	MAT'L 材质	DWG. NO. 图号	NOTE 备注
4	接地组合件		1		DW0166-2-0	
3	压线框		2	锌合金	DW0241-3	借用UT1-2.5(T)
2	螺钉		2	QSn4-3	DW0152-2	借用JUT1-2.5
1	外壳		1	PA66	DW0166-1	JUT1-2.5PE黄 JUT1-2.5PE绿



ZHEJIANG UTILITY ELECTRICAL CO., LTD
浙江尤提乐电气有限公司

>120	±0.50			TYPE NO.	JUT1-2.5PE	TITLE	名称: Customer Drawing
>30~120	±0.30			APPD.		DWG. NO.:	C-DW0166-0
>6~30	±0.20			CHKD.		SCALE:	FULL
0~6	±0.10	ANGLE	±1°	DR.	Jammy. ling	UNIT:	mm[inch]
MAT'L 材质:				设计:		REV.:	R1