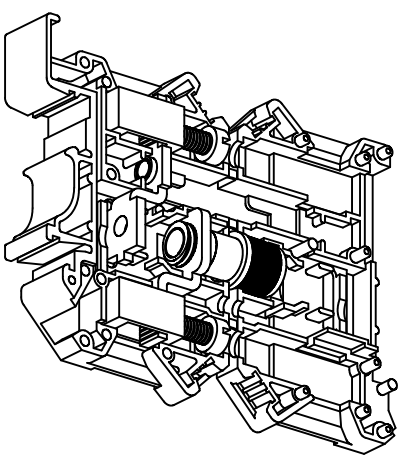
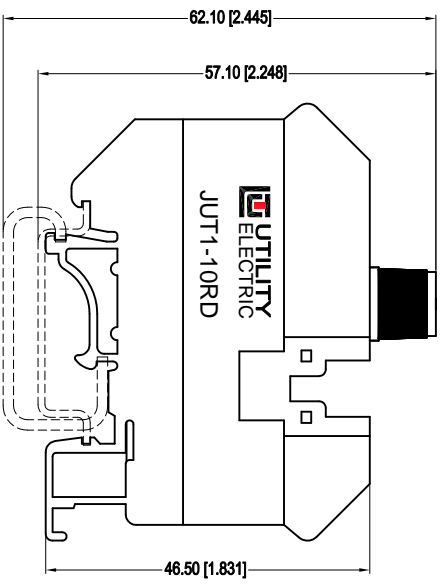
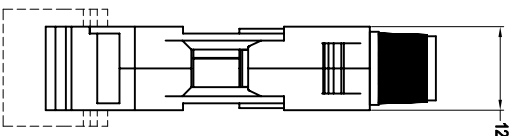
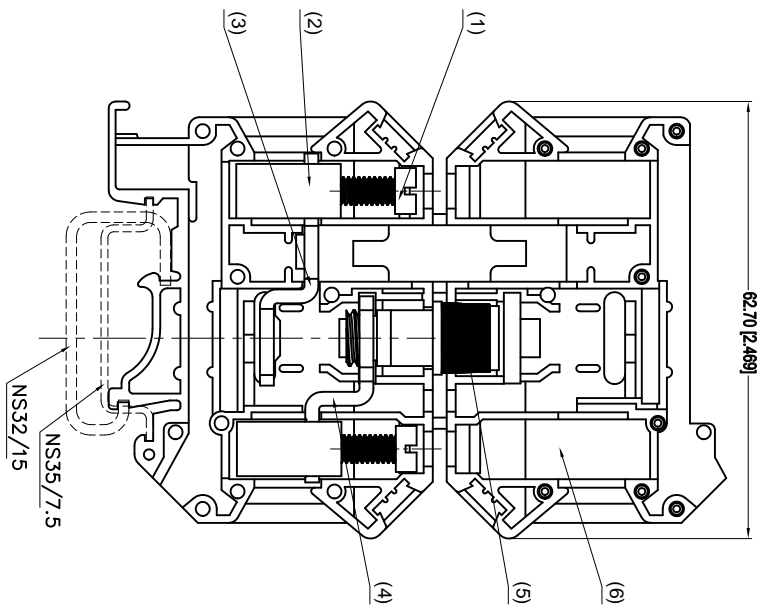


REV.	ECN.NO.	REVISE.NO.	REVISER	APPD.
R1	版次 EON. 编号	处数	修订者	核准
	DRAWING			



Technical Data

Material:

- Body: PA66 UL94 V-0.
- Screw: Brass, Nickel Plated.
- Conductor: Brass, Tin Plated.
- Block: Brass, Nickel Plated.

Electrical:

- Voltage rating/Current rating: IEC 800V ;
- Contact resistance: 20 mΩMax.
- Insulation resistance: 1000V, 1000 MΩMin.
- Withstanding Voltage: AC 3000 V, 1 minute.

Mechanical:

- Torque: 1.6 N.m Max.
- Connection Capacity: 20-6 AWG.
- Fuse size : 05×20mm.
- Stripping Length : 10mm.
- Operating temperature: -45° C to +105° C.



ZHEJIANG UTILITY ELECTRICAL CO., LTD
浙江尤提乐电气有限公司

TYPE NO.	TITLE	SCALE	PAGE
>120	名称: Customer Drawing	FULL	1/1
>30~120	型号: JUT1-10RD		
>6~30	核准: APPD.	图号: DWG. NO.: C-DW0185-0	页码: 1/1
0~6	审核: CHKD.	比例: 1:1	REV.: R1
MAT'L	设计: DR.	UNIT: mm[inch]	版次: R1
材质:	设计: Jammy. ling		