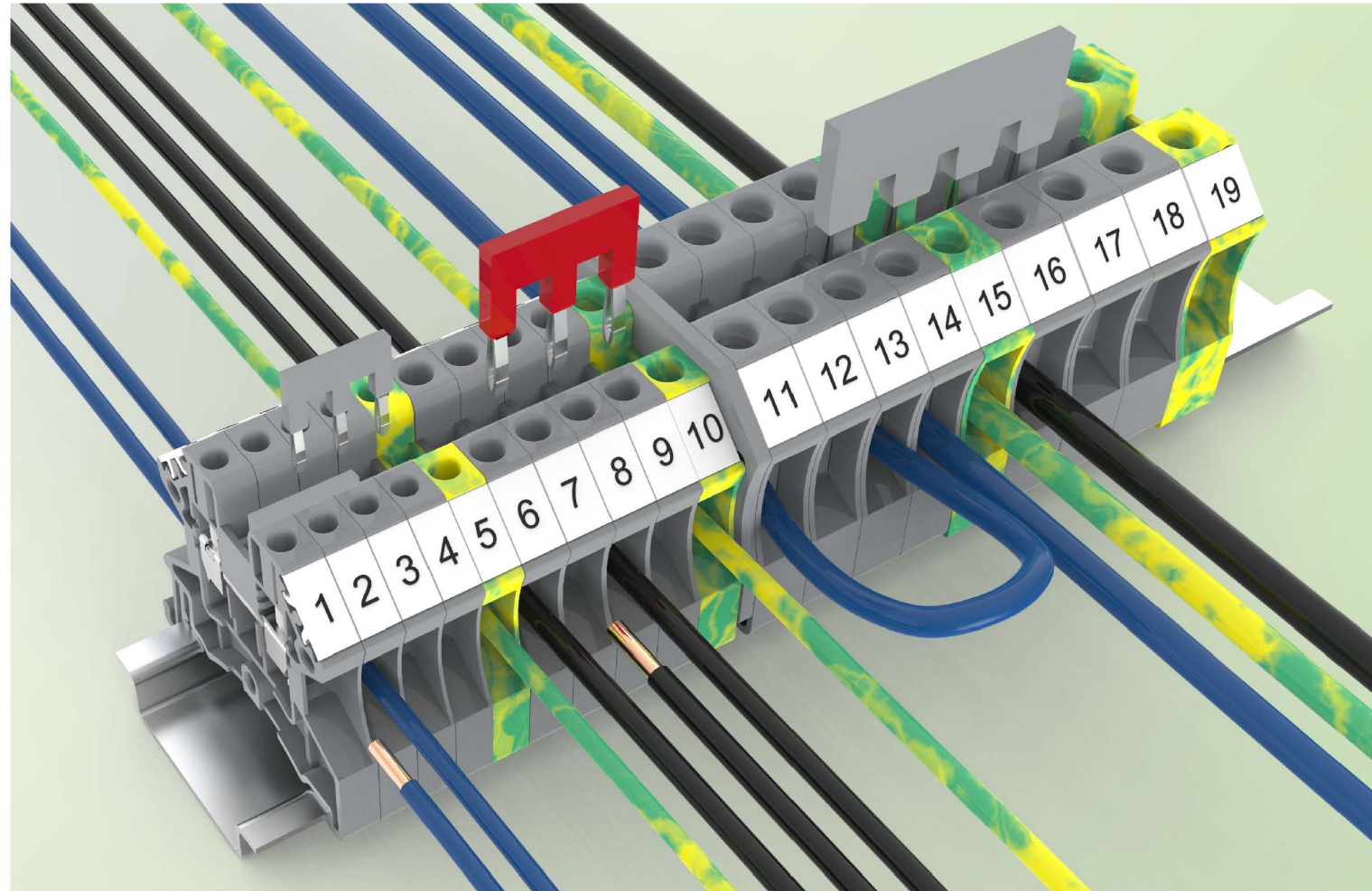


DC series

DC钢制压线框压线结构 DC Steel Cage Locking Structure



DC钢制压线框压线结构

绝缘件采用尼龙66，具有良好的韧性和阻燃性。

钢制压线框结构，接触压力大，同时具有自锁、抗震和防松功能。

导体电镀锡合金，确保极低的接触电阻和良好的气密性。

压线框的挡线舌可以防止误插。

接线范围从0.2mm²到35mm²。

DC Steel Cage Locking Structure

PA66 material is applied for the housing, the good performance of toughness and flame retardant.

Steel cage, strong press force and the function of self-locking, anti-vibration and anti-loose.

Tin is plated on the contact carrier to make sure the low contact resistance and good tightness.

Misplug prevention.

Wire range: 0.2 mm² to 35mm².

特点: Features:

特点:

DC系列经典的钢制压线框接线端子，具有优良的机械性能和抗腐蚀能力，由于湿度造成的导线的热胀冷缩，由压线框本身的弹性作用来抵消（防止螺丝松动）。

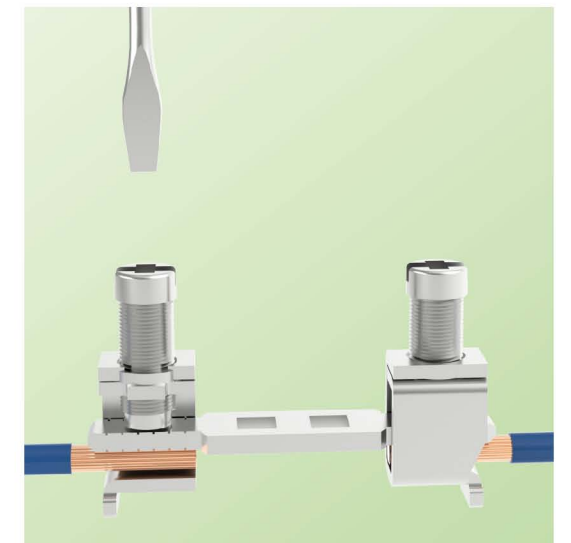
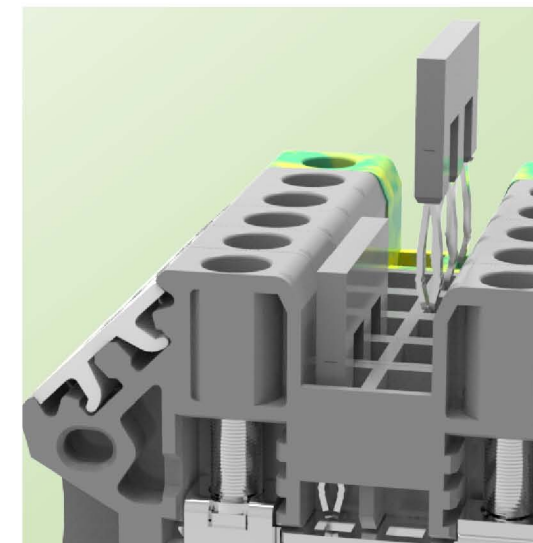
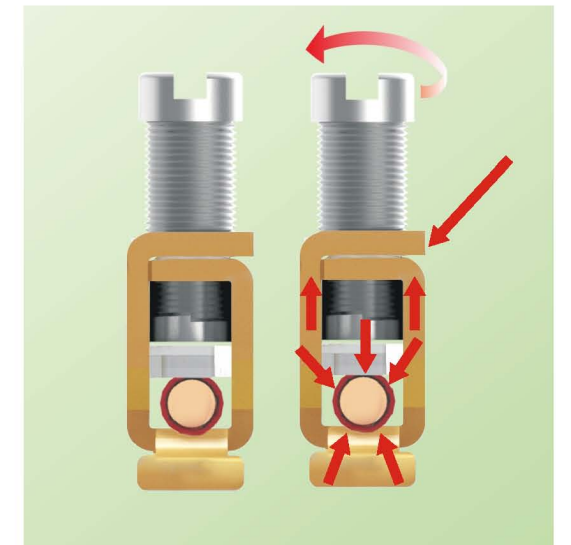
紫铜的导电片电阻最小，可以保证很低的电压降，钢制的压线框和压线螺钉接触紧密，结构紧凑。

采用插入式双通道桥接件设计，可以方便的实现电路的连接和跨接。

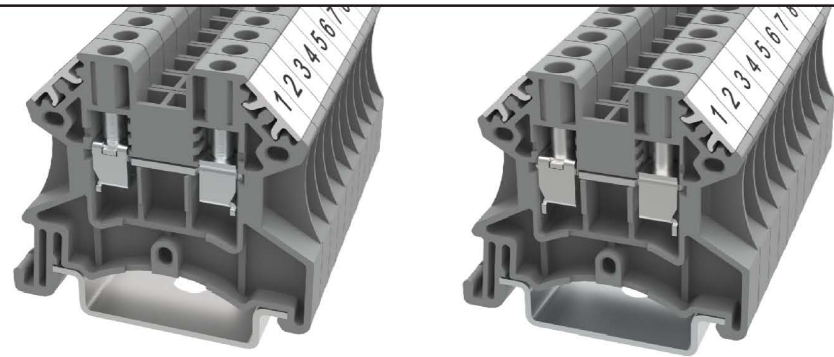
Feature:

As the typical steel cage terminal blocks, DC series have the good mechanical performance and corrosion resistance performance; Steel cage obtain the advantage of offset the wire thermal expansion caused by environment humidity (prevent the screw loose).

The material of current carrier is copper which have the minimum resistance value and low voltage drop. Steel cage is closely contact with the screw, tight structure. Double bridge design, convenient to connect and bridge joint the circuit.



DC 2-Conductor types

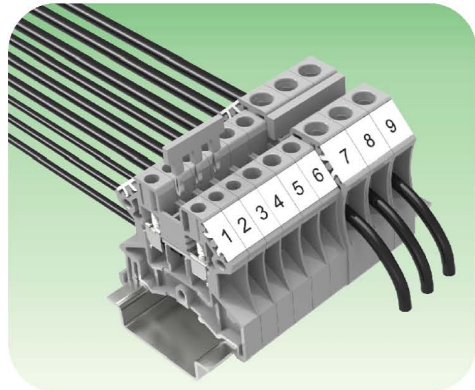


DC 2.5

DC 4

UL CE ENEC RoHS REACH			
	U [V]	I [A]	Wire size
IEC 60947-7-1	1000	24	0.2-2.5mm ²
UL 1059	600	25	26-12AWG

UL CE ENEC RoHS REACH			
	U [V]	I [A]	Wire size
IEC 60947-7-1	1000	32	0.5-4mm ²
UL 1059	600	30	22-10AWG



说明 Specification

端子, 可安装在	Terminal block, for mounting on
盖板	Cover
相邻跨接件	Adjacent jumper
间隔跨接件	Alternate jumper

标记条 Zack strip

—	—
—	—
—	—
—	—
—	—

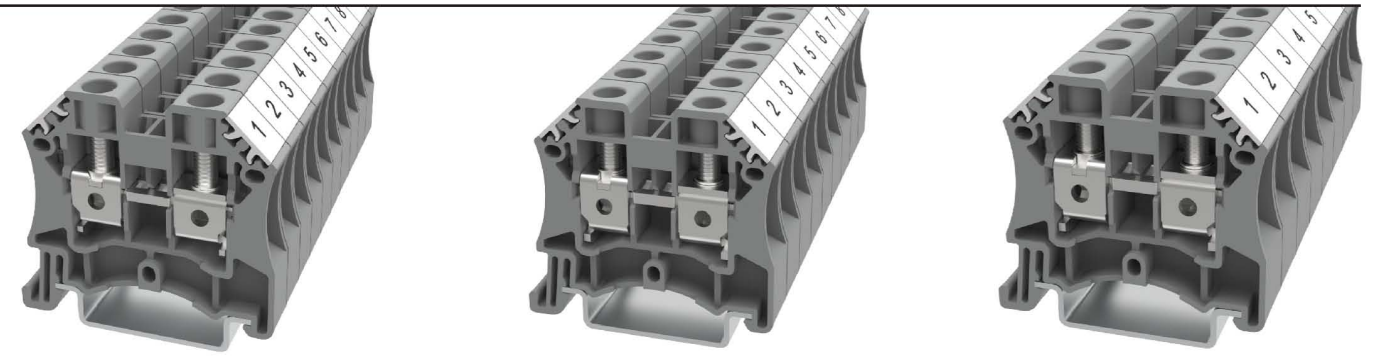
Technical data

尺寸 Dimensions	
厚度/宽度/端板厚度 T/W/Cover thickness [mm]	5.1/44.5/1.5
高度 Height (NS35:7.5/NS35:15/NS32) [mm]	40/48.5
技术参数符合IEC/DIN VDE 标准 Technical data in accordance with IEC/DIN VDE	
最大额定工作电流/截面积 Maximum load current/cross section [A]/[mm ²]	24/2.5
使用边插式跨接件时可接导线最大截面积 (刚性/柔性) Max. Cross section with insertion bridge (solid/stranded) [mm ²]	2.5/2.5
额定冲击电压/污染等级 Rated surge voltage/Pollution degree [KV/-]	6/3
过电压等级/绝缘材料组别 Overvoltage category/Insulating material group	III/I
接线容量 Connection capacity	
带管状裸端头/管状预绝缘端头的柔性导线 Stranded with ferrule without/with plastic sleeve [mm ²]	0.2-1.5/0.2-1.5
多导线连接 (截面积相同的两导线) Multiple connection (2 conductors with same cross section)	
刚性导线/柔性导线 Solid/stranded [mm ²]	0.2-1.5/0.2-1.5
带管状裸端头的柔性导线 Stranded with ferrules without plastic sleeve [mm ²]	0.2-1.5
带TWIN管状预绝缘端头的柔性导线 Stranded with TWIN ferrule with plastic sleeve [mm ²]	0.5-1
General data	
剥线长度 Stripping length [mm]	8-9
塞规 Internal cylindrical gage (IEC 60947-1)	A3
螺钉类型 Screw thread [Nm]	M2.5
扭矩 Tightening torque	0.4
绝缘材料 Insulating material	PA
根据UL94所确定的材料阻燃等级 Inflammability class acc. to UL94	V0

型号 Type	I _{max}	Purchase Pkt.
DC2.5		50
D-DC2.5		50
DFA2.5	24A	50
EB2-5	24A	100
EB3-5		100
EB10-5		10
ZB5		

型号 Type	I _{max}	Purchase Pkt.
DC4		50
D-DC2.5		50
DFA4	32A	50
EB2-6	32A	100
EB3-6		100
EB10-6		10
ZB6		

DC Series



DC 6

DC 10

DC 16

UL CE ENEC RoHS REACH			
	U [V]	I [A]	Wire size
IEC 60947-7-1	1000	41	0.5-6mm ²
UL 1059	600	50	22-8AWG

UL CE ENEC RoHS REACH			
	U [V]	I [A]	Wire size
IEC 60947-7-1	1000	57	0.5-10mm ²
UL 1059	600	65	20-6AWG

UL CE ENEC RoHS REACH			
	U [V]	I [A]	Wire size
IEC 60947-7-1	1000	76	1.5-25mm ²
UL 1059	600	100	14-3AWG

型号 Type	I _{max}	Purchase Pkt.
DC6		50
D-DC6		50
DFA6	41A	50
EB2-8	41A	100
EB3-8		100
EB10-8		10
ZB8		

型号 Type	I _{max}	Purchase Pkt.
DC10		50
D-DC6		50
DFA10	57A	50
EB2-10	57A	100
EB3-10		100
EB10-10		10
ZB10		

型号 Type	I _{max}	Purchase Pkt.
DC2.5		50
D-DC16		50
DFA16	76A	50
EB10-12	70A	10
ZB10		

DC 2-Conductor types

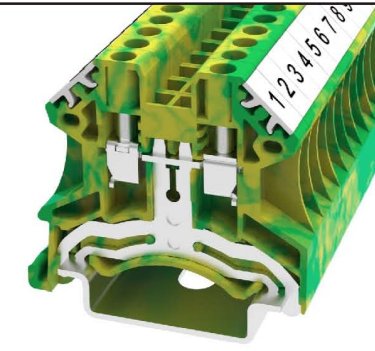


DC 35

CE ENEC RoHS REACH			
	U [V]	I [A]	Wire size
IEC 60947-7-1	1000	125	1.5-50mm ²
UL 1059	600	150	14-1/0AWG

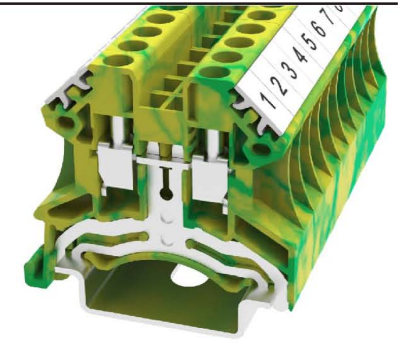
说明 Specification	型号 Type	I _{max}	Purchase Pkt.
端子, 可安装在	DC3.5		50
Terminal block, for mounting on			
端板 Cover	D-DC35		50
相邻跨接件 Adjacent jumper	DFA35	125A	50
边插式桥接件 Insertion bridge	EB10-15	110A	10
标记条 Zack strip	ZB10		
Technical data			
尺寸 Dimensions			
厚度/宽度/端板厚度 T/W/Cover thickness [mm]		16/55.4/2.5	
高度 Height (NS35:7.5/NS35:15/NS32) [mm]		57/64	
技术参数符合IEC/ DIN VDE 标准			
Technical data in accordance with IEC/DIN VDE			
最大额定工作电流/截面积 [A]/[mm ²]		125/35	
使用边插式桥接件时可接导线最大截面积 (刚性/柔性) Max. Cross section with insertion bridge (solid/stranded) [mm ²]		35/35	
额定冲击电压/污染等级 [KV/-]		8/3	
过电压等级/绝缘材料组别		III/I	
接线容量 Connection capacity			
带管状裸端头/管状预绝缘端头的柔性导线 Stranded with ferrule without/with plastic sleeve [mm ²]		0.75-35/0.75-35	
多导线连接 (截面积相同的两导线) Multiple connection (2 conductors with same cross section)			
刚性导线/柔性导线 Solid/stranded [mm ²]		0.75-16/0.75-10	
带管状裸端头的柔性导线 Stranded with ferrules without plastic sleeve [mm ²]		0.75-10	
带TWIN管状预绝缘端头的柔性导线 Stranded with TWIN ferrule with plastic sleeve [mm ²]		0.75-10	
General data			
剥线长度 Stripping length [mm]		16	
塞规 Internal cylindrical gage (IEC 60947-1)		B9	
螺钉类型 Screw thread		M.6	
扭矩 Tightening torque [Nm]		2.5	
绝缘材料 Insulating material		PA	
根据UL94所确定的材料阻燃等级 Inflammability class acc. to UL94		V0	

DC 2-Conductor ground types



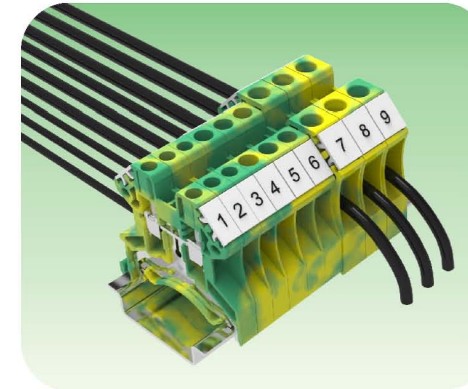
DC 2.5-PE

UL CE ENEC RoHS REACH			
	U [V]	I [A]	Wire size
IEC 60947-7-2	-	-	0.2-2.5mm ²
UL 1059	-	-	26-12AWG

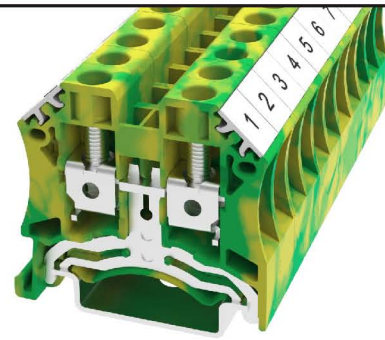


DC 4-PE

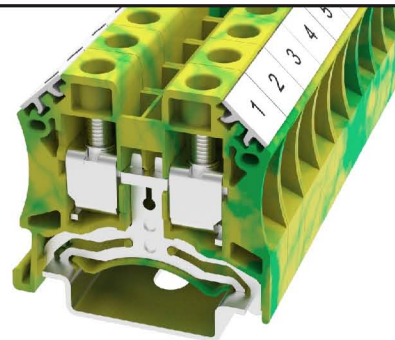
UL CE ENEC RoHS REACH			
	U [V]	I [A]	Wire size
IEC 60947-7-2	-	-	0.5-4mm ²
UL 1059	-	-	22-10AWG



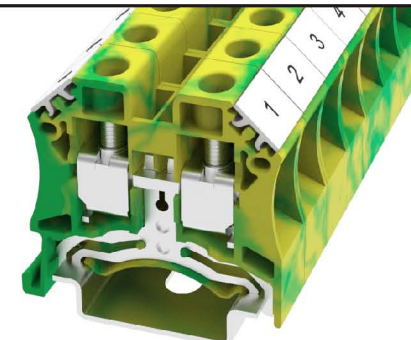
说明 Specification	型号 Type	I _{max}	Purchase Pkt.
端子, 可安装在	DC2.5		50
Terminal block, for mounting on			
端板 Cover	D-DC2.5		50
相邻跨接件 Adjacent jumper	-		-
间隔跨接件 Alternate jumper	EB2-5 EB3-5 EB10-5	10 10 10	100 100 10
标记条 Zack strip	ZB5		
Technical data			
尺寸 Dimensions			
厚度/宽度/端板厚度 T/W/Cover thickness [mm]		5.1/44.5/1.5	
高度 Height (NS35:7.5/NS35:15/NS32) [mm]		40/48.5	
技术参数符合IEC/ DIN VDE 标准			
Technical data in accordance with IEC/DIN VDE			
最大额定工作电流/截面积 [A]/[mm ²]		-/2.5	
使用边插式桥接件时可接导线最大截面积 (刚性/柔性) Max. Cross section with insertion bridge (solid/stranded) [mm ²]		2.5/2.5	
额定冲击电压/污染等级 [KV/-]		6/3	
过电压等级/绝缘材料组别		III/I	
接线容量 Connection capacity			
带管状裸端头/管状预绝缘端头的柔性导线 Stranded with ferrule without/with plastic sleeve [mm ²]		0.2-1.5/0.2-1.5	
多导线连接 (截面积相同的两导线) Multiple connection (2 conductors with same cross section)			
刚性导线/柔性导线 Solid/stranded [mm ²]		0.2-1.5/0.2-1.5	
带管状裸端头的柔性导线 Stranded with ferrules without plastic sleeve [mm ²]		0.2-1.5	
带TWIN管状预绝缘端头的柔性导线 Stranded with TWIN ferrule with plastic sleeve [mm ²]		0.5-1	
General data			
剥线长度 Stripping length [mm]		8-9	
塞规 Internal cylindrical gage (IEC 60947-1)		A3	
螺钉类型 Screw thread		M2.5	
扭矩 Tightening torque [Nm]		0.4	
绝缘材料 Insulating material		PA	
根据UL94所确定的材料阻燃等级 Inflammability class acc. to UL94		V0	



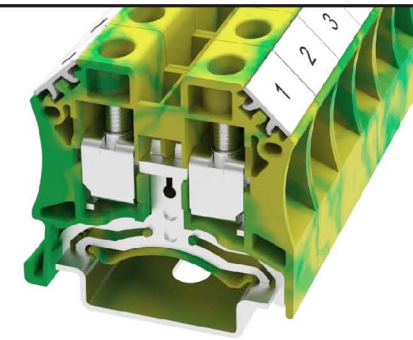
DC 6-PE



DC 10-PE



DC 16-PE



DC 35-PE

UL vs CE ENEC RoHS REACH			
	U [V]	I [A]	Wire size
IEC 60947-7-2	-	-	0.5-6mm ²
UL 1059	-	-	22-8AWG

UL vs CE ENEC RoHS REACH			
	U [V]	I [A]	Wire size
IEC 60947-7-2	-	-	0.5-10mm ²
UL 1059	-	-	20-6AWG

CE ENEC RoHS REACH			
	U [V]	I [A]	Wire size
IEC 60947-7-2	-	-	1.5-16mm ²
UL 1059	-	-	12-3AWG

CE ENEC RoHS REACH			
	U [V]	I [A]	Wire size
IEC 60947-7-2	-	-	1.5-35mm ²
UL 1059	-	-	12-1/0AWG

说明 Specification

端子, 可安装在 Terminal block, for mounting on

端板 Cover

相邻跨接件 Adjacent jumper

间隔跨接件 Alternate jumper

标记条 Zack strip

型号 Type	I _{max}	Purchase Pkt.
DC6		50
D-DC6		50
EB2-8		100
EB3-8		100
EB10-8		10

型号 Type	I _{max}	Purchase Pkt.
ZB8		

型号 Type	I _{max}	Purchase Pkt.
DC10		50
D-DC6		50
EB2-10		100
EB3-10		100
EB10-10		10

型号 Type	I _{max}	Purchase Pkt.
ZB10		

Technical data

尺寸 Dimensions

厚度/宽度/端板厚度 T/W/Cover thickness [mm]

高度 Height (NS35:7.5/NS35:15/NS32) [mm]

技术参数符合IEC/DIN VDE 标准

Technical data in accordance with IEC/DIN VDE

最大额定工作电流/截面积

Maximum load current/cross section [A]/[mm²]

使用边插式跨接件时可接导线最大截面积 (刚性/柔性)

Max. Cross section with insertion bridge (solid/stranded) [mm²]

额定冲击电压/污染等级

Rated surge voltage/Pollution degree [KV/-]

过电压等级/绝缘材料组别

Overvoltage category/Insulating material group

接线容量 Connection capacity

带管状裸端头/管状预绝缘端头的柔性导线

Stranded with ferrule without/with plastic sleeve [mm²]

多导线连接 (截面积相同的两导线)

Multiple connection (2 conductors with same cross section)

刚性导线/柔性导线 Solid/stranded [mm²]

带管状裸端头的柔性导线

Stranded with ferrules without plastic sleeve [mm²]

带TWIN管状预绝缘端头的柔性导线

Stranded with TWIN ferrule with plastic sleeve [mm²]

General data

剥线长度 Stripping length [mm]

窥规 Internal cylindrical gage (IEC 60947-1)

螺钉类型 Screw thread [Nm]

扭距 Tightening torque

绝缘材料 Insulating material

根据UL94所确定的材料阻燃等级 Inflammability class acc. to UL94

8.0/45/1.5		
43.5/50.5		
-/6		
4/4		
8/3		
III/I		
0.2-4/0.2-4		
0.2-2.5/0.2-2.5		
8-9		
A5		
M4		
1.2		
PA		
V0		

10/45/1.5		
43.5/50.5		
-/10		
10/10		
8/3		
III/I		
0.5-10/0.5-6		
0.5-4/0.5-4		
12		
B6		
M4		
1.2		
PA		
V0		

型号 Type	I _{max}	Purchase Pkt.
DC2.5		50
D-DC16		50
EB10-5		10
ZB10		

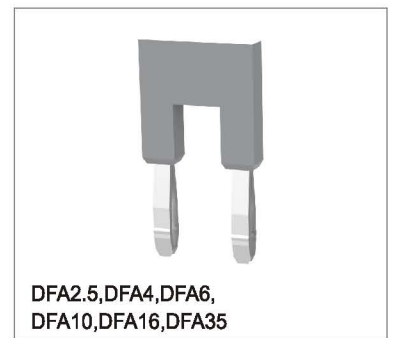
型号 Type	I _{max}	Purchase Pkt.
ZB10		

12/52.8/2.5		
45.5/52.5		
-/16		
16/16		
8/3		
III/I		
0.2-6/0.2-6		
15-6/1.5-4		
1.5-6		
0.75-10		
12		
B7		
M.5		
2.0		
PA		
V0		

型号 Type	I _{max}	Purchase Pkt.
DC35		50
D-DC35		50
EB10-5		10
ZB10		

型号 Type	I _{max}	Purchase Pkt.
ZB10		

16/55.4/2.5		
57/64		
-/35		
35/35		
8/3		
III/I		
0.75-35/0.75-35		
0.75-16/0.75-10		
0.75-10		
16		
B9		
M.6		
2.5		
PA		
V0		



- DFA2.5, DFA4, DFA6, DFA10, DFA16, DFA35
- DFA2.5 →DC2.5
- DFA4 →DC4
- DFA6 →DC6
- DFA10 →DC10
- DFA16 →DC16
- DFA35 →DC35



- ZB5, ZB6, ZB8, ZB10
- ZB5 →DC2.5, DC2.5-PE
- ZB6 →DC4, DC4-PE
- ZB8 →DC6, DC6-PE
- ZB10 →DC10, DC16, DC35, DC10-PE, DC16-PE, DC35-PE