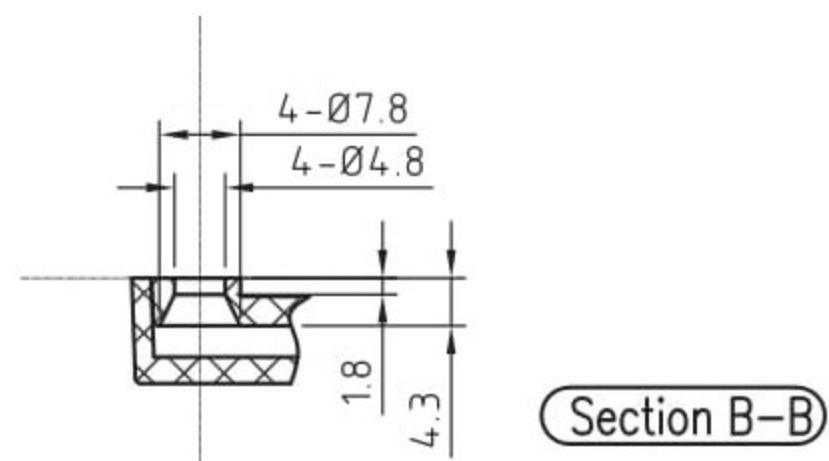
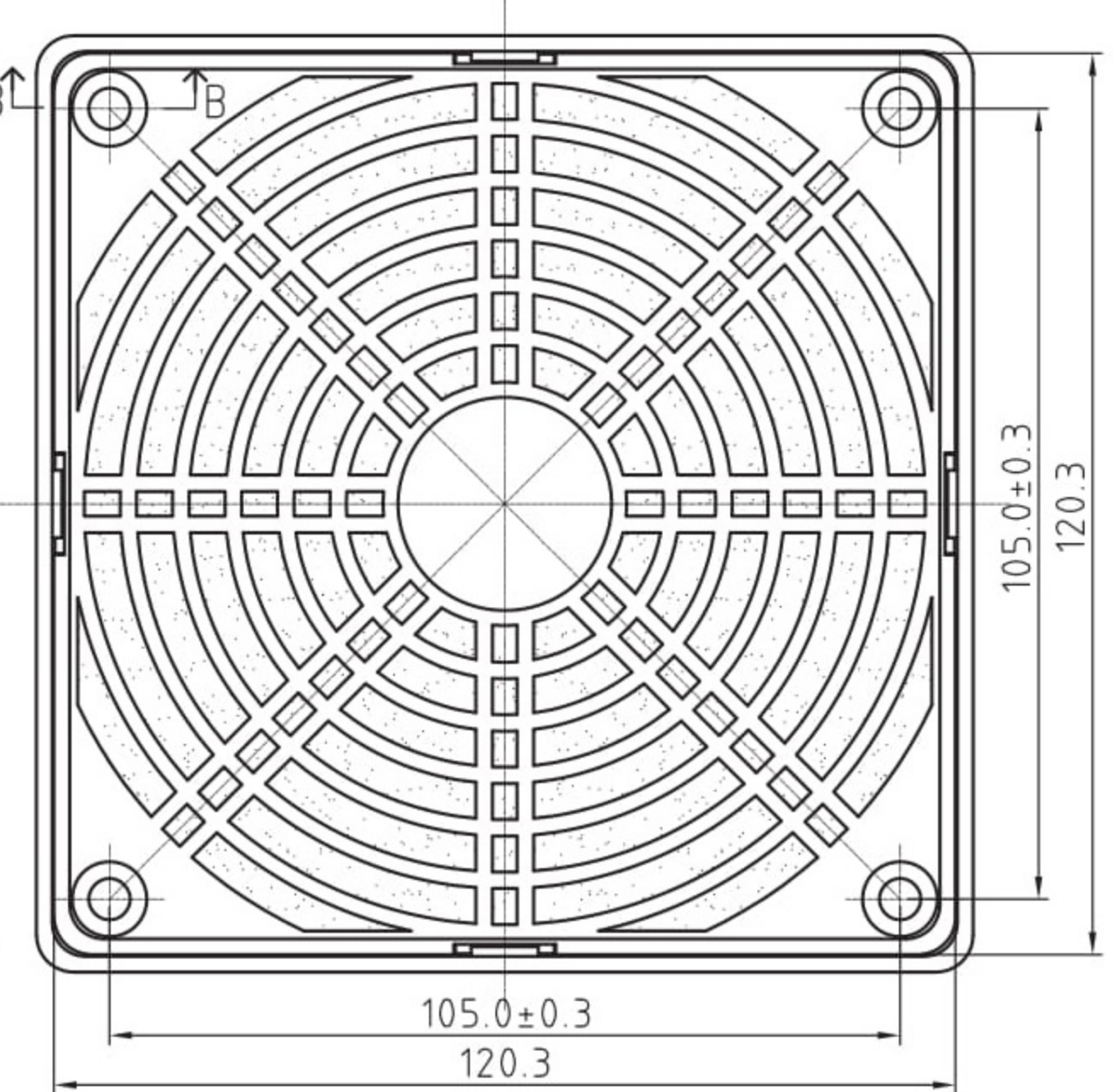
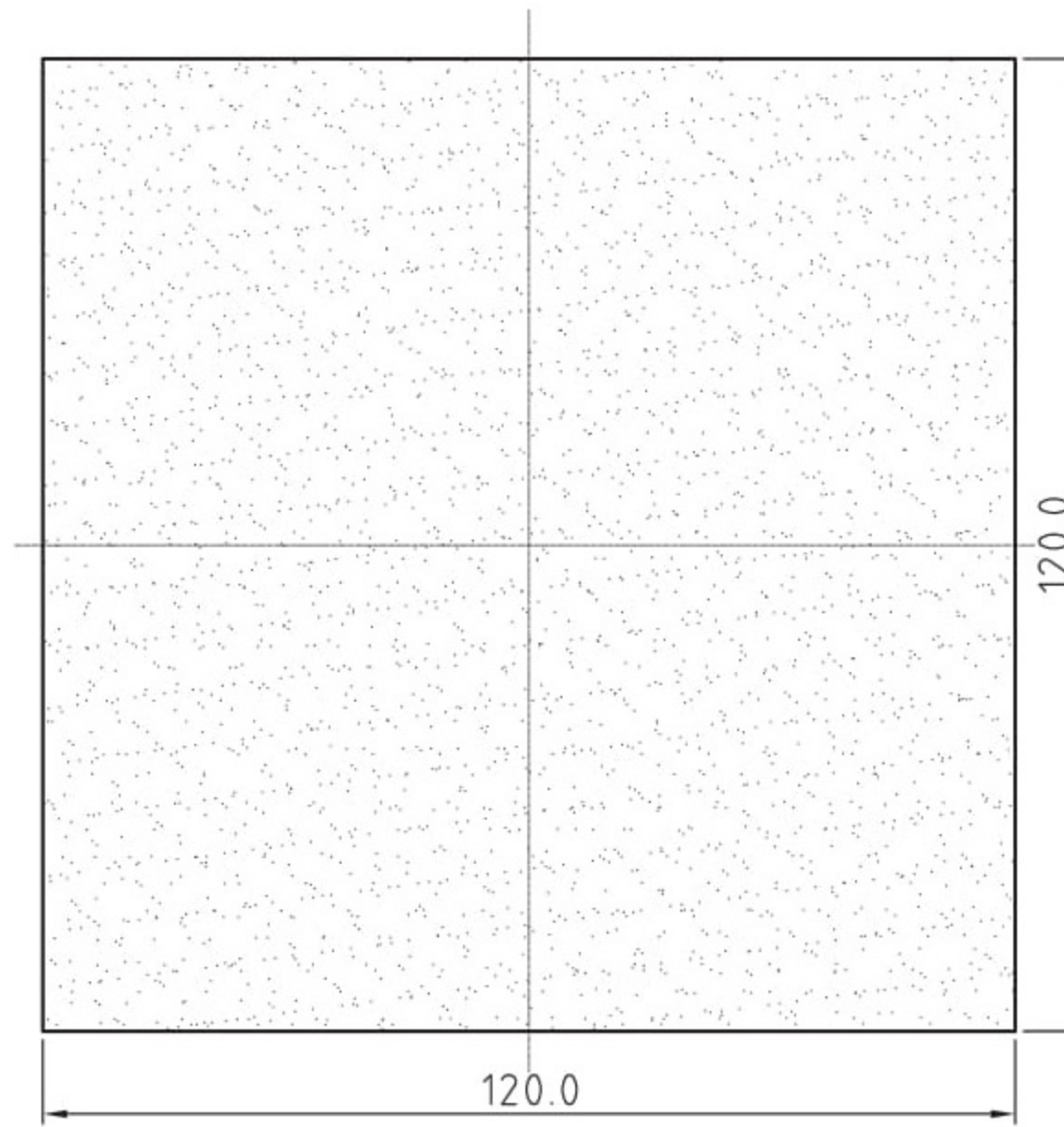
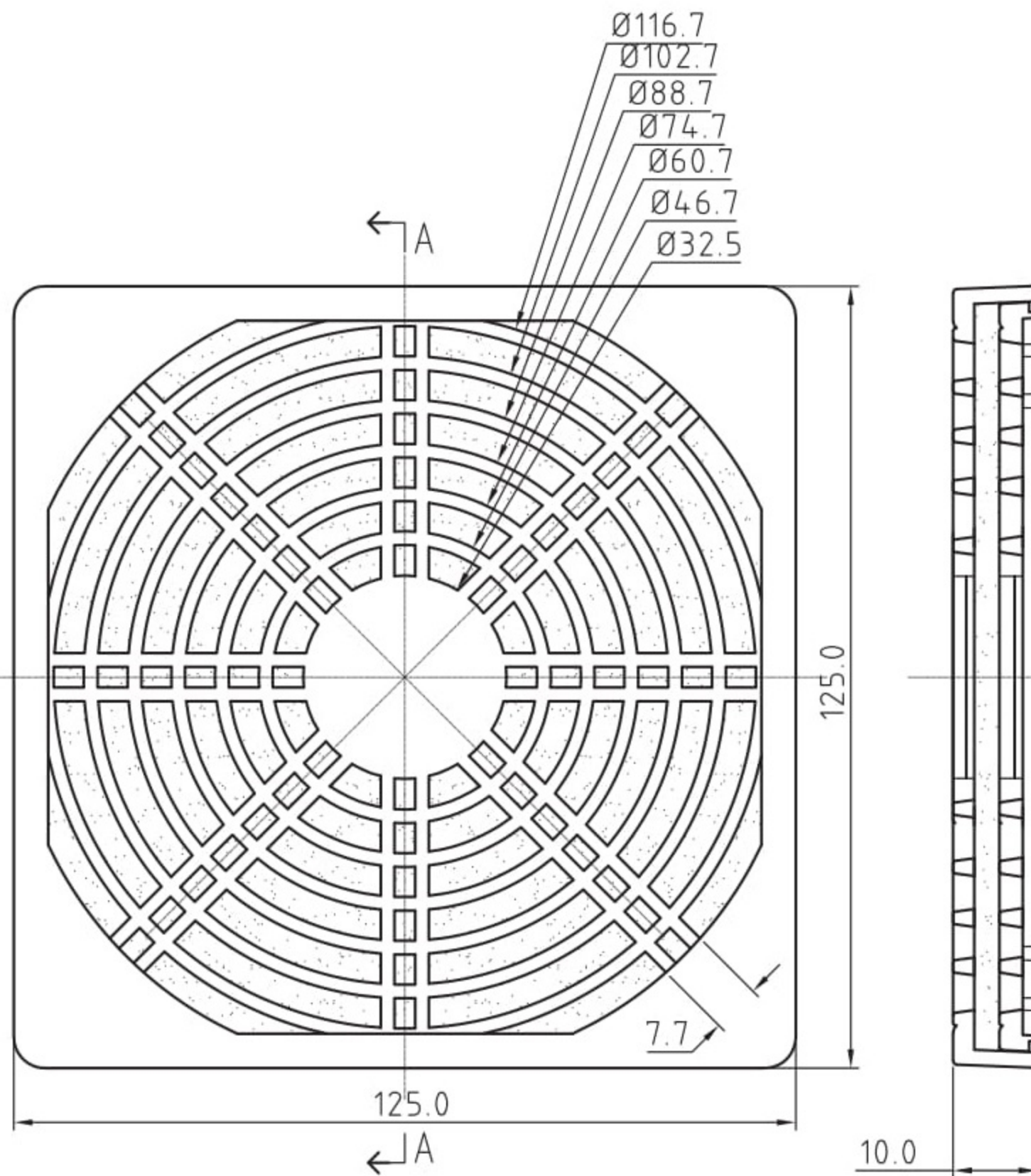





# SNFC-120x120



**(NOTES):**

1. Material: Ventilation mesh body material, heat resistant grade ABS resin
2. Filter material: nylon fiber synthetic resin
3. Filter pressure loss:  
initial: 6.9mmAQ  
final: 24mmAQ
4. Use range: inside the house (-10°C +55°C)
5. Dust prevention rate: 89%
6. Protection level: IP54
7. Maximum wind speed: 2m/sec

	DO NOT SCALE					CUSTOMER	
	DRAWN BY	CHECKED	APPROVED	SCALE	1/1	PART NO.	SNFC-120x120
				DRAWING DATE		MATERIAL	SEE NOTES
						FINISH	SEE NOTES