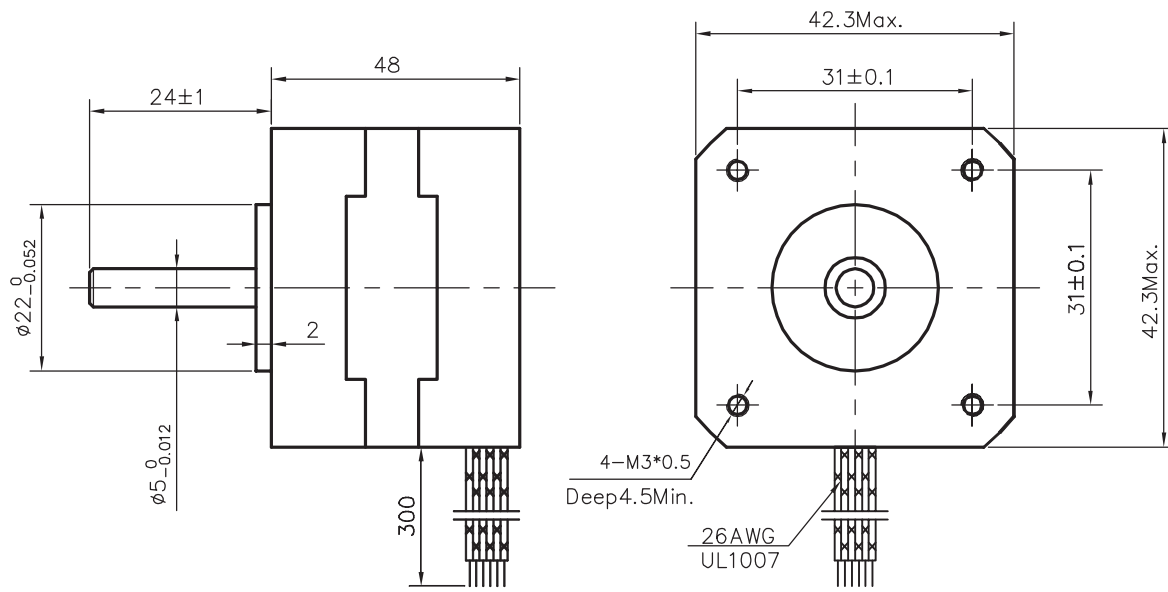


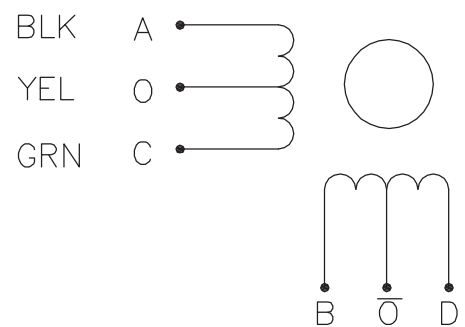
Dimension:
Unit=mm



Specifications:

Phase	4		Comment
Step Angle	0.9	deg.	
Voltage	3.84	V	
Current	1.2	A	
Resistance	3.2	Ω	
Inductance	5.0	mH	
Holding Torque	3.17	kg.cm	
Insulation Class	B		
Mass	0.34	kg	

Wiring Diagram:



RED WHT BLU