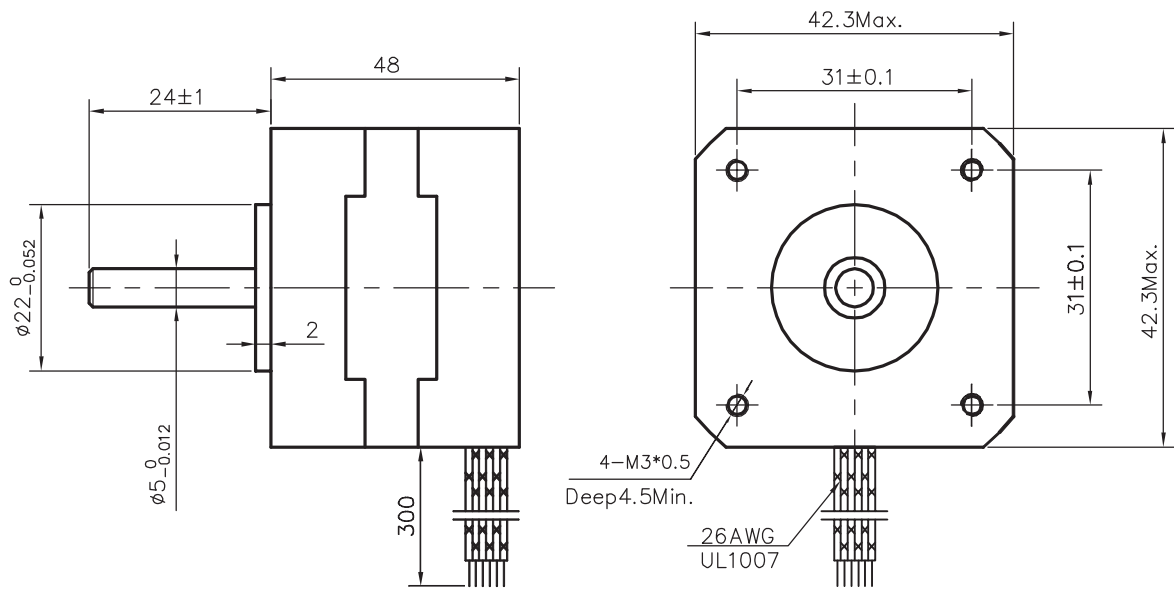


Dimension:
Unit=mm



Wiring Diagram:

Specifications:

Phase	4		Comment
Step Angle	0.9	deg.	
Voltage	12	V	
Current	0.4	A	
Resistance	30	Ω	
Inductance	43	mH	
Holding Torque	3.17	kg.cm	
Insulation Class	B		
Mass	0.34	kg	

