

# SPECIFICATION

受 控

评 估 版

Customer : MICROS

Applied To :

Product Name : Horn Speaker



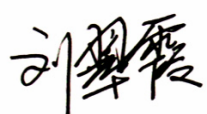
Model Name : SH-8080F14R4-7403

Drawing No. : KFC7403

Signature of Appronal

--

Signature of KEPO

Approved by	Checkde by	Issued by	Date
			



宁波凯普电子有限公司

Ningbo Kepo Electronics Co.,Ltd.

宁波东钱湖镇东钱湖工业区宝源路 25 号

TEL:+86-574-88370330 FAX:+86-574-88370329

No.25 Baoyuan road Dongqian Lake, Industry Area, Dongqian town,Ningbo City,

China(Post Code:315121)

[Sales@chinaacoustic.com](mailto:Sales@chinaacoustic.com) [www.chinaacoustic.com](http://www.chinaacoustic.com)

Specification for Horn Speaker		Page	2/8
		Revision No.	1.0
Model No.	SH-8080F14R4-7403	Drawing No.	KFC7403

## CONTENTS

1. Scope
2. General
3. Electrical and Acoustic Characteristics.
4. Reliability Test
5. Measurement Block Diagram & Response curve
6. Dimensions
7. Packing
8. Revision

Specification for Horn Speaker		Page	3/8
		Revision No.	1.0
Model No.	SH-8080F14R4-7403	Drawing No.	KFC7403

## 1. Scope

This specification is applied to the Siren used for sounder in alarm systems. Please contact us when using this product for any other applications than described in the above.

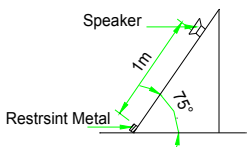
## 2. General

- 2.1 Out-Diameter : 80 mm
- 2.2 Height : 52.5 mm
- 2.3 Length : 80\*80 mm
- 2.4 Weight : 425 g ±10g
- 2.5 Operating Temperature range:  
-25~+60 °C without loss of function
- 2.6 Store Temperature range:  
-30 ~+65 °C without loss of function

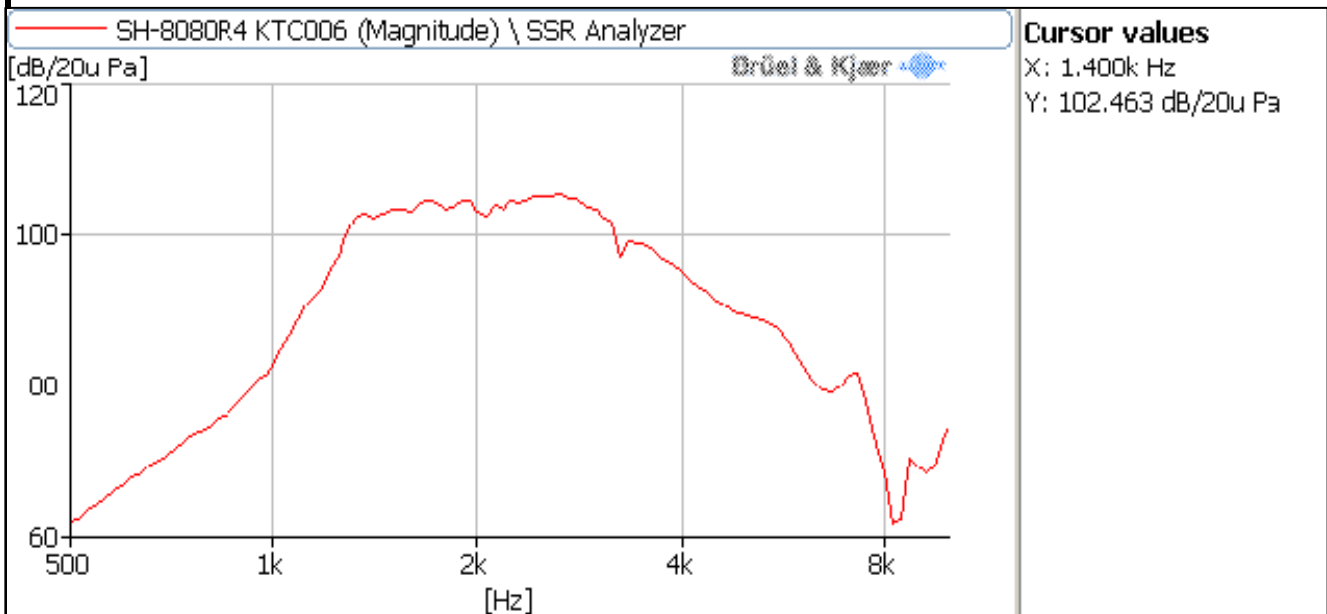
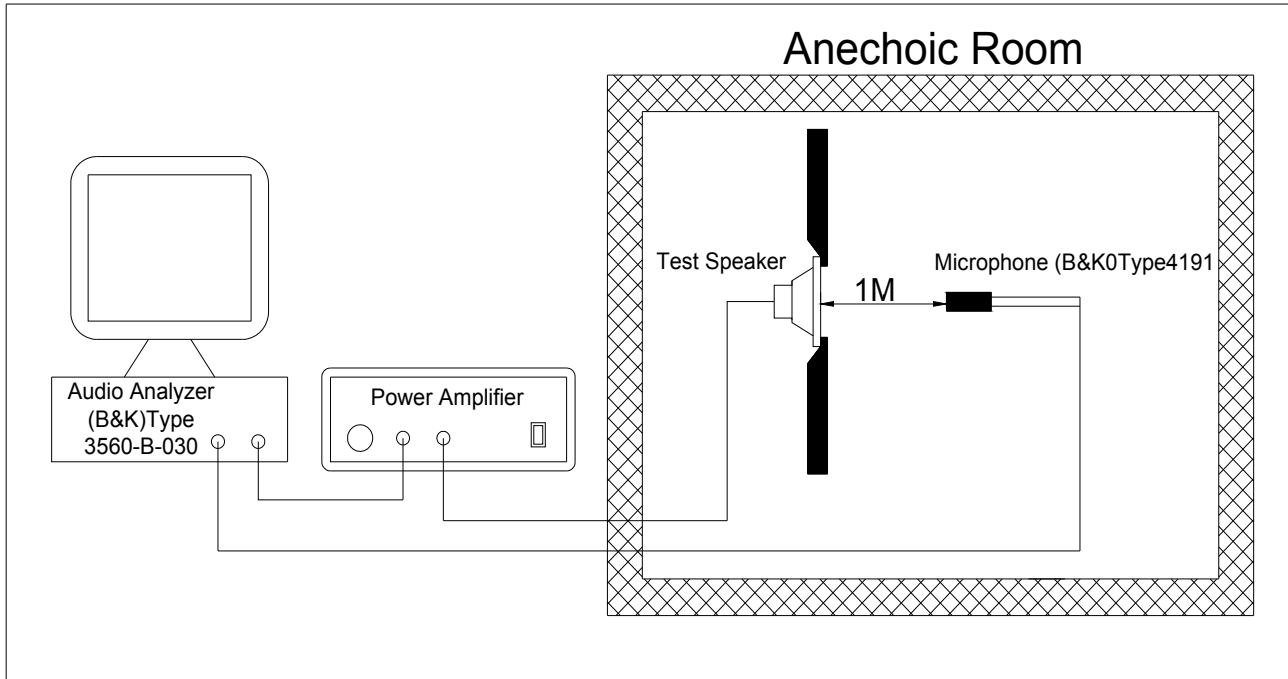
## 3. Electrical and Acoustic Characteristics.

Test condition : 15 ~ 35 °C, 25% ~ 85% RH, 860~1060 mbar

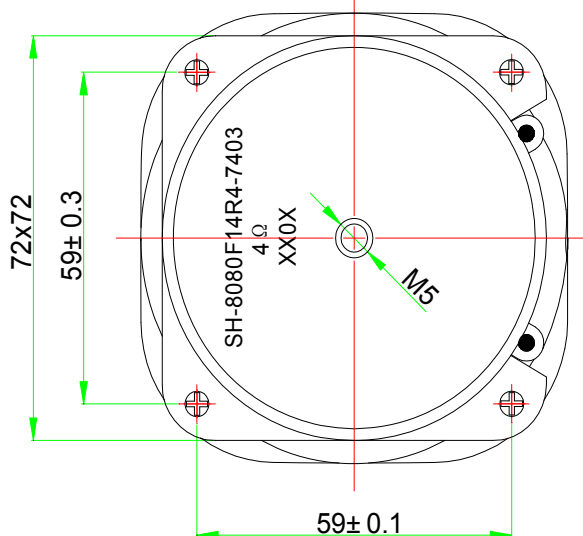
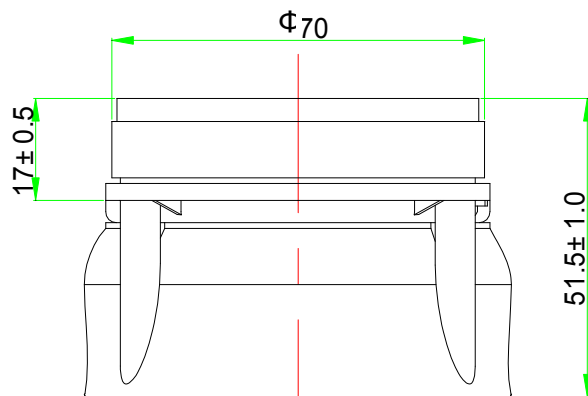
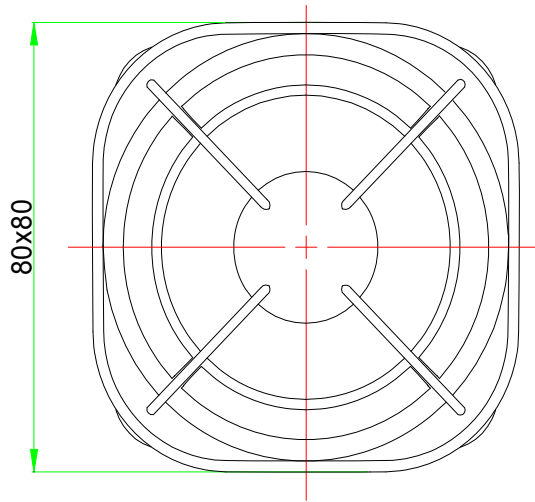
No	Items	Specification
1	Impedance	4 Ω ± 20%
2	Sound Pressure Level	≥ 100 dB at 1.4KHz B&K
3	Resonance Frequency	1400 Hz ± 20%
4	Frequency Range	FO ~4KHz
5	Input Power	Rated 15 W / Max. 20 W
6	Magnet size	Φ70*32*8t (Dia.*dia.*H)
7	Buzz and Rattle	Should not be audible buzzes,rattles when the 4V sine wave signal swept at frequency range."
8	Polarity	When supplied plus D.C. voltage to (+) Left line, the diaphragm must move to forward.
9	Case Material/Color	ABS/BLACK

Specification for Horn Speaker		Page	4/8
		Revision No.	1.0
Model No.	SH-8080F14R4-7403	Drawing No.	KFC7403
<h3>4. Reliability Test</h3> <p>After test(1~6item), the Electronic Siren S.P.L . difference shall be within <math>\pm 10\text{dB}</math>, and the appearance not exist any change to be harmful to normal operation(e.g.cracks,rusts,damages and especially distortion).</p>			
No	Items	Specification	
1	High Temperature Test	After being woked in a chamber with $+60\pm 2\text{ }^\circ\text{C}$ for 2h and then being placed in natural condition for 2h, sounder shall be measured.	
2	Low Temperature Test	First being worked in a chamber with $-25\pm 2\text{ }^\circ\text{C}$ for 2h and then being placed in a chamber with $-25\pm 2\text{ }^\circ\text{C}$ for 16h, finally being placed in natural condition for 2h, sounder shall be measured.	
3	Humidity Test	After being placed in a chamber with 90 to 95%R.H. at $+40\pm 2\text{ }^\circ\text{C}$ for 2 h and then being placed in natural condition for 2h , sounder shall be measured.	
4	Shock Test	Under acceleration of peak $100\text{m/s}^2(10\text{g})$ & half sine wave pulse (pulse time is 16ms)condition.run into product 1000 times continuously.	
5	Vibration Test	Horn shall be measured after being applied vibration of amplitude of 1.5mm with 10to 30Hz band of vibration frequency to each of 3 perpendicular directions for 2 hour.	
6	Drop Test	<p>A speaker is dropped from 1m in length on <math>75^\circ</math> inclination and a magnetic circuit of speaker is hitte to the restraint metal.</p> <p>After the test, magnetic circuit should not drop out and speakr should be measured.</p> 	
7	Load test	After being applied loading white noise with input power 15W(7.75Vrms.) for 48 hours, then placed in natural condition for 1 hour, speaker shall be measured.	

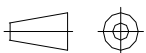
### 5. Measurement Block Diagram & Response curve



### 6. Dimensions



FIRST ANGLE PROJECTION



备注：根据客户要求进行丝印。  
使用标准螺丝为M5X10.

UNIT : mm

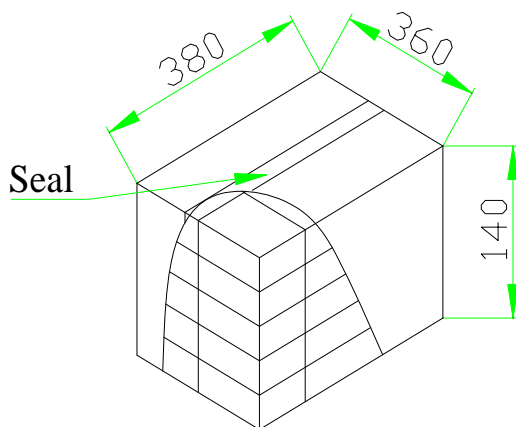
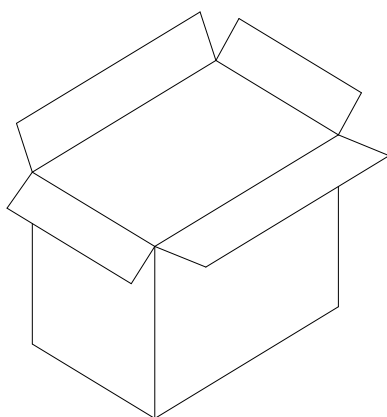
Tolerance :  $\pm 0.5$

Specification for Horn Speaker		Page	7/8
		Revision No.	1.0
Model No.	SH-8080F14R4-7403	Drawing No.	KFC7403

## 7. Packing

Each minimum package unit of products shall be in a carton box and it shall be clearly marked with Part Number ,quantity and outgoing inspection number.

There shall be no mechanical damage on products during transportation and/or in storage.



QTY: 24Pcs  
380x360 x140

Specification for Horn Speaker		Page	8/8
		Revision No.	1.0
Model No.	SH-8080F14R4-7403		Drawing No.     KFC7403

**8. Revision**

Rev. No.	DATE	PAGE	DESCRIPTION	BOM
1.0	2014.04.21	9	Primary	