

## PGM5639D

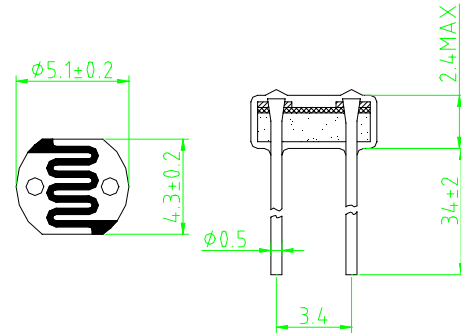
**Features:**

- Epoxy Encapsulated
- Reliable Performance
- Quick Response
- Good Characteristic of Spectrum



**Applications:**

- Industrial Control
- Photoelectric Control
- Photoswitch
- Electronic Toys



Model	V <sub>max</sub> (VDC)	P <sub>max</sub> (mW)	Ambient Temp (°C)	Spectral Peak (nm)	Photo Resistance (10Lx) (KΩ)	Dark Resistance (MΩ)min	γ min	Response Time (ms)	
								Rise	Decay
PGM5639D	150	100	-30 ~ +70	560	30 ~ 90	10.0	0.8	20	30

### Measuring Conditions

1. Light Resistance:
  - Measured at 10 lux with standard light A (2854K-color temperature) and 2hr. preillumination at 400-600 lux prior testing.
2. Dark Resistance :
  - Measured 10 seconds after closed 10 lux.
3. Gamma characteristic:
  - Between 10 lux and 100 lux and given by
  - $\gamma = \log(R_{10}/R_{100}) / \log(100/10) = \log(R_{10}/R_{100})$
  - R<sub>10</sub>,R<sub>100</sub>: Cell resistance at 10 lux and 100 lux. The tolerance of γ is ±0.1.
4. Pmax:
  - Max. Power Dissipation at ambient temperature of 25° C.
5. Vmax:
  - Max. Voltage in Darkness that may be applied to the cell continuously.