

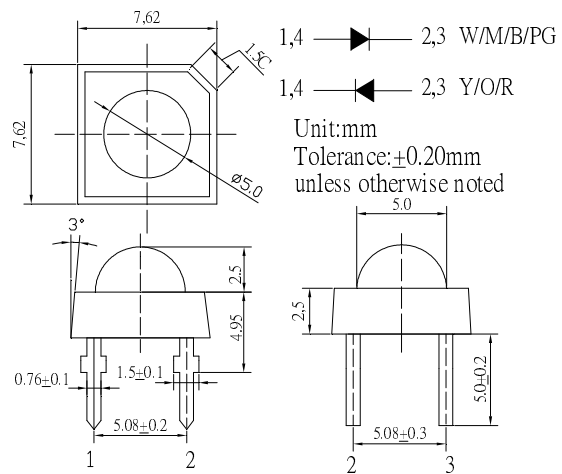
■Features

- High Luminous Super Flux Output
- 5 ° Standard Directivity
- Superior Weather-resistance
- UV Resistant Epoxy
- Water Clear Type

■Applications

- Traffic Signal
- Backlighting
- Signal and channel letter
- Other Lighting

■Outline Dimension

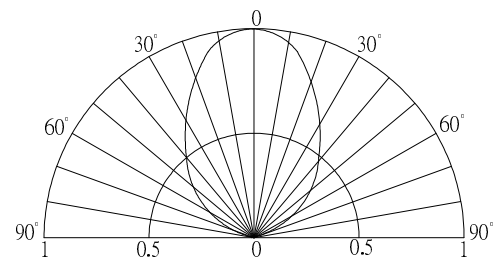


■Absolute Maximum Rating

(Ta=25°C)

| Item | Symbol | Value | | Unit |
|----------------------------|------------------|------------|-------|------|
| | | W/M/B/PG | Y/O/R | |
| DC Forward Current | I _F | 80 | 80 | mA |
| Pulse Forward Current* | I _{FP} | 120 | 120 | mA |
| Reverse Voltage | V _R | 5 | 5 | V |
| Power Dissipation | P _D | 288 | 224 | mW |
| Operating Temperature | T _{opr} | -30 ~ +85 | | °C |
| Storage Temperature | T _{stg} | -40~ +100 | | °C |
| Lead Soldering Temperature | T _{sol} | 260°C/5sec | | - |

■Directivity



*Pulse width Max.10ms Duty ratio max 1/10

■Electrical -Optical Characteristics

(Ta=25°C)

| Part Number | Color | | | V _F (V) | | | I _R (μA) | Φ _V (LM) | | | I _v (mcd) | | | Wd(nm)/CCT(K) | | | 2θ1/2(deg) |
|-------------|------------|----|---|----------------------|------|------|---------------------|---------------------|------|----------------------|----------------------|-------|------|---------------------------|------|------|------------|
| | | | | Min. | Typ. | Max. | Max. | Min. | Typ. | Max. | Min. | Typ. | Max. | Min. | Typ. | Max. | Typ. |
| | | | | I _F =75mA | | | V _R =5V | | | I _F =75mA | | | | | | | |
| OSW47LZ281P | White | W | | 2.8 | 3.2 | 3.6 | 10 | 18 | 20 | - | 10000 | 12000 | - | 5500-8500K(X:0.31,Y:0.34) | | | 80 |
| OSM57LZ281P | Warm White | M | ■ | 2.8 | 3.2 | 3.6 | 10 | 17 | 19 | - | 8400 | 10000 | - | 2700-3200K(X:0.44,Y:0.41) | | | 80 |
| OSB56LZ281P | Blue | BL | ■ | 2.8 | 3.3 | 3.6 | 10 | 4 | 5 | - | 2180 | 3000 | - | 465 | 470 | 475 | 80 |
| OSG59LZ281P | Pure Green | PG | ■ | 2.8 | 3.3 | 3.6 | 10 | 18 | 20 | - | 10000 | 12000 | - | 520 | 525 | 530 | 80 |
| OS6YKAZ281P | Amber | Y | ■ | 2.0 | 2.4 | 2.8 | 10 | 8 | 10 | - | 4200 | 5800 | - | 590 | 595 | 600 | 80 |
| OS5OKAZ281P | Orange | O | ■ | 2.0 | 2.4 | 2.8 | 10 | 8 | 10 | - | 4200 | 5800 | - | 600 | 605 | 610 | 80 |
| OS5RKAZ281P | Red | R | ■ | 2.0 | 2.4 | 2.8 | 10 | 8 | 10 | - | 4200 | 5800 | - | 620 | 625 | 630 | 80 |

- *1 Tolerance of measurements of chromaticity coordinate is ±10%
- *2 Tolerance of measurements of color temperature is ±10%
- *3 Tolerance of measurements of dominant wavelength is ±1nm
- *4 Tolerance of measurements of luminous flux is ±15%
- *5 Tolerance of measurements of forward voltage is ±0.1V