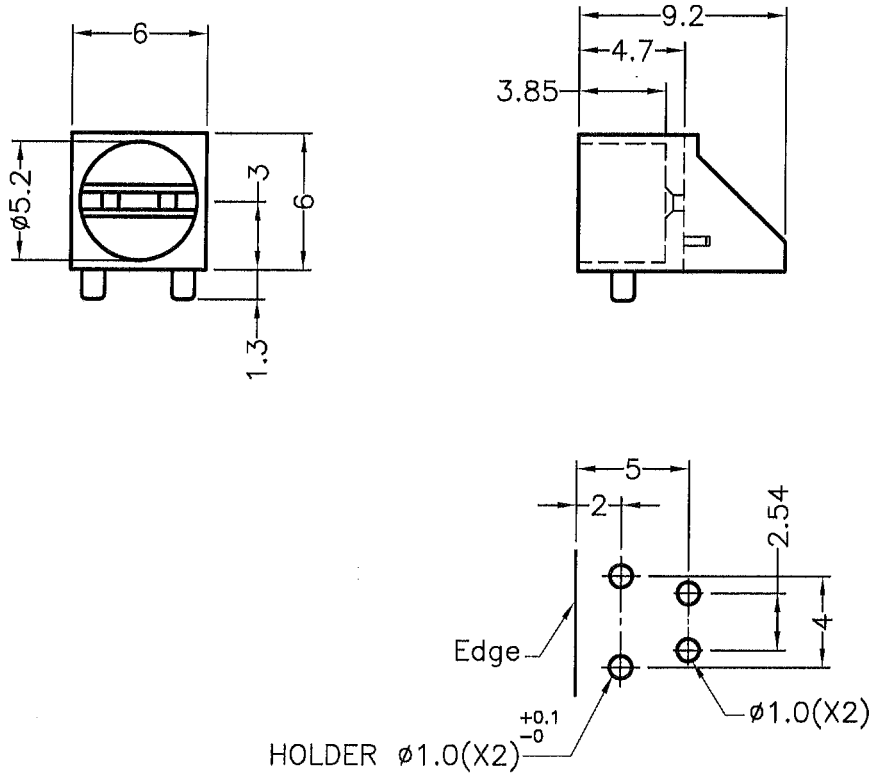


DIM.	TOL
5mm DOWN	±0.2
5~20mm	±0.3
20~40mm	±0.4
40~60mm	±0.5
60~100mm	±0.8
100mm UP	±1.0


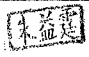
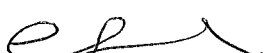
REVISIONS			
REV	DESCRIPTION	DATE	BY



MOUNTING HOLE

NOTE: All measurement does not include gate which raises under 0.3mm.



 <p>康揚企業股份有限公司 KANG YANG HARDWARE ENTERPRISE CO., LTD. 康揚塑膠(東莞)有限公司 KANG YANG PLASTIC(DONG GUAN) CO., LTD. 康哲電腦配件(吳江)有限公司 KANG CHE COMPUTER COMPONENTS(WUJIANG) CO., LTD.</p>	TITLE	LED HOLDER	SPEC. DWG.	
	MATERIAL	NYLON 66 UL94V-2	DATE	2001.10.04
	HARDNESS		DRAWN	AMY
PART NUMBER	DRAWING NUMBER	COLOR	CHECK	
LEK-516	LEK-516	BLACK		
SIZE	SCALE	UNLESS OTHERWISE SPECIFIED TOLERANCE	APPROVED	
A4	3:1	SEE ABOVE		
UNIT	REV			
mm	B			