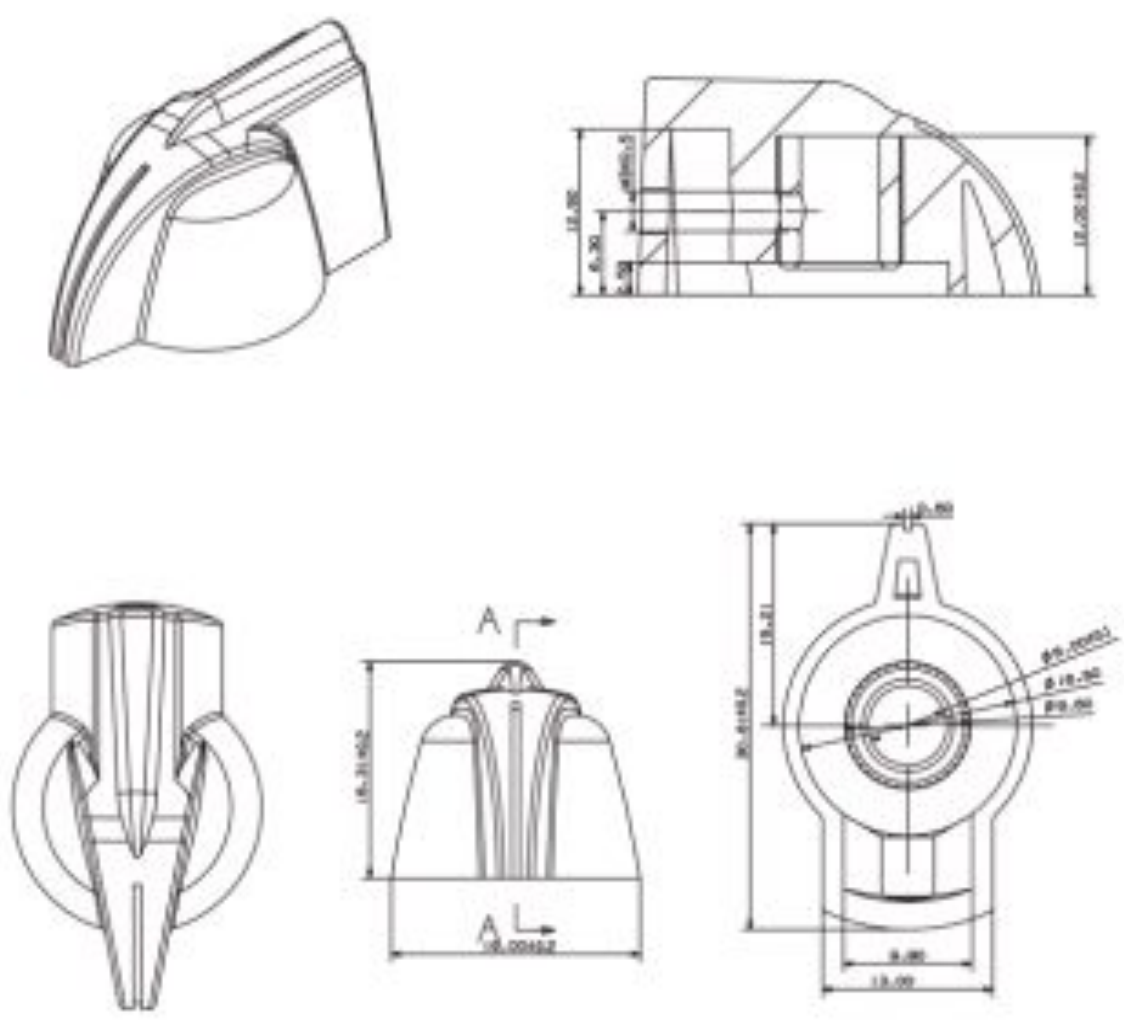



Part NO.	G 219W	Drawing	
Dimensions	31x16mm	 <p>The technical drawing includes: <ul style="list-style-type: none"> An isometric view of the part. A side view with dimensions: 11.30, 6.35, 2.50, 18.00, and 18.00. A front view with dimensions: 16.31±0.2, 18.21, and 13.00. It also shows a section line A-A and a diameter of 6.35±0.02. A top view with dimensions: 18.00, 6.35, and 13.00. It shows concentric circles with diameters of 6.35±0.02, 6.18±0.02, and 6.0±0.02. </p>	
Material	Copper+ABS		
Color	White body Black line		
Shaft Hole	6.35 shaft hole		
 <p>Color swatches for the part G 219W, showing various color options: yellow, red, green, beige, black, white, blue, and maroon.</p>			