
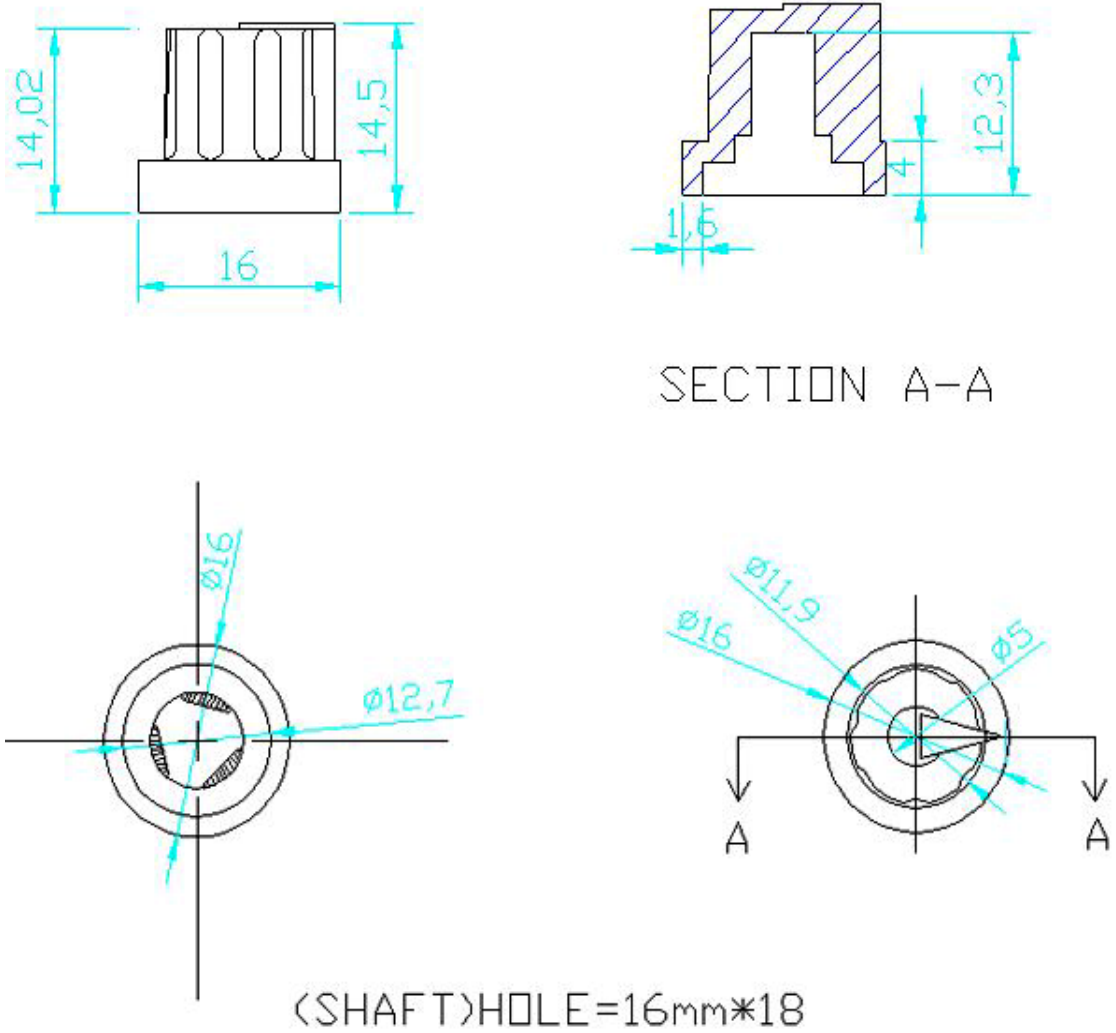


| Part NO.  | <b>G 101B_x</b>                       | <b>Drawing</b>   |  |
|---|---------------------------------------|--|--|
| Dimensions  | 16x14.5mm                             |  |  |
| Material  | Rubber+Plastic                        |  |  |
| Color   | Blue/Green/Gray/Red/<br>White, Yellow |  |  |
| Shaft Hole  | 16mm*8 teeth                          |  |  |
|  |                                       |  <p>(SHAFT)HOLE=16mm*18</p> |  |