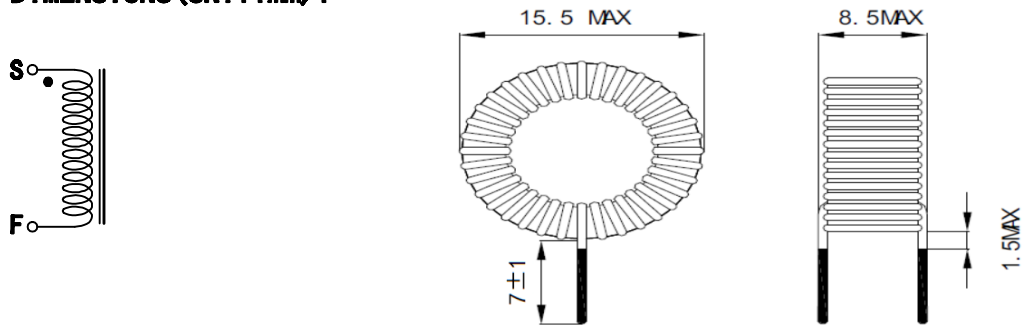


DT0100.0/1A/15.5x8

1、 DIMENSIONS (UNIT:mm) :



2、 ELECTRICAL CHARACTERISTICS:

L(S-F) : 100.0uH ± 10%	RATED CURRENT : 1A MAX
DCR : 120mΩ MAX	-----
	MEASURING INSTRUMENT : TH2810B LCR1KHz/1V

3、 MATERIAL LIST:

WIRE : N1 (S-F) : 2UEW φ 0.45mm x 51.0Ts ;
--