

SB 0.8-12

12V 0.8Ah

SB 0.8-12 is a general purpose battery with 6-9 years in standby service or more than 500 cycles at 50% depth of discharge in cycle service.

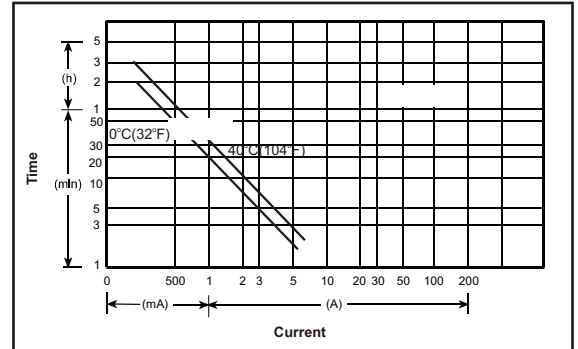
☆ SPECIFICATION

● NOMINAL VOLTAGE	: 12 V
● NOMINAL CAPACITY(20 hr)	: 0.8 Ah
● DIMENSIONS	
TOTAL HEIGHT	: 62mm (2.44 inches)
CONTAINER HEIGHT	: 62 mm (2.44inches)
LENGTH	: 96 mm (3.78inches)
WIDTH	: 25mm (0.98inches)
● WEIGHT	: APPROX 0.33 Kg (0.72lbs)
● CONTAINER MATERIAL	: UL94HB ABS
● INTERNAL RESISTANCE(25°C , 77 °F)	: ~80m
● DISCHARGE CAPACITY UNDER DIFFERENT TEMPERATURES	
40°C	: ~102%
25°C	: ~100%
0 °C	: ~85%

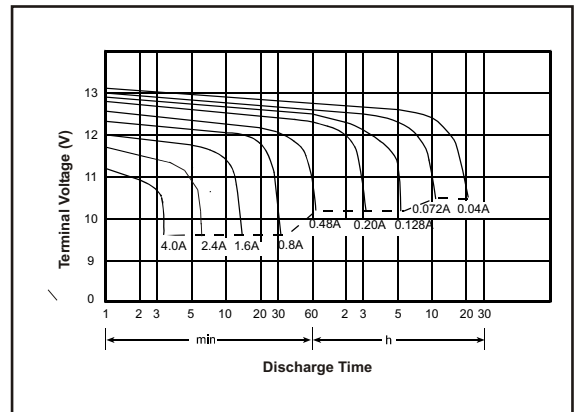
☆ CHARACTERISTICS

● CAPACITY 25 °C / 77 °F	
20 hr @ 0.04 A	: 0.80 Ah
5 hr @ .0.128 A	: 0.64 Ah
1 hr @ 0.48 A	: 0.48 Ah
1 C @0.80 A	:0.40 Ah
● CHARGING VOLTAGE (25°C , 77 °F)	
STANDBY USE	: 13.65V±0.15 V
CYCLE USE	: 14.70V±0.30 V
● MAX DISCHARGE CURRENT	: 6.0 A (5 sec)
● MAX CHARGING CURRENT	: 0.24 A
● SELF-DISCHARGE RESIDUAL CAPACITY(25°C , 77 °F)	
AFTER 3 MONTHS	: ~90%
AFTER 6 MONTHS	: ~82%
AFTER 12 MONTHS	: ~64%

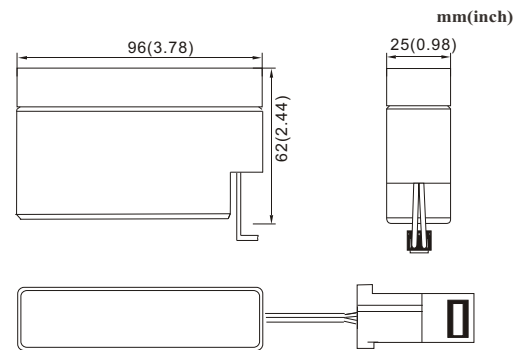
☆ Discharge Current vs Time



☆ Discharge Characteristics @25 °C (77 °C)



☆ Dimensions



☆ Terminal

