

Adapter Han RJ45 module/RJ45 patch cable

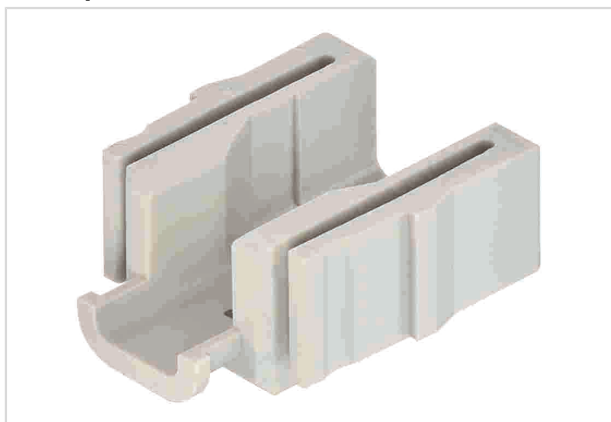


Image is for illustration purposes only. Please refer to product description.

Part number	09 14 000 9966
Specification	Adapter Han RJ45 module/RJ45 patch cable
HARTING eCatalogue	https://b2b.harting.com/09140009966

Identification

Category	Modules
Series	Han-Modular®
Type of module	Han® RJ45 module
Size of the module	Single module
Description of the module	Adapter for patch cable

Version

Gender	Male
--------	------

Technical characteristics

Insulation resistance	$>10^{10} \Omega$
Limiting temperature	-40 ... +125 °C
Mating cycles	≥ 500

Material properties

Material (insert)	Polycarbonate (PC)
Colour (insert)	RAL 7032 (pebble grey)
Material flammability class acc. to UL 94	V-0
RoHS	compliant
ELV status	compliant
China RoHS	e
REACH Annex XVII substances	Not contained



Pushing Performance
Since 1945

Material properties

REACH ANNEX XIV substances Not contained

REACH SVHC substances Not contained

Specifications and approvals

Specifications EN 60664-1
IEC 61984

Approvals DNV GL

Commercial data

Packaging size 2

Net weight 4.44 g

Country of origin Germany

European customs tariff number 85389099

eCl@ss 27440218 Module for industrial connectors (data)