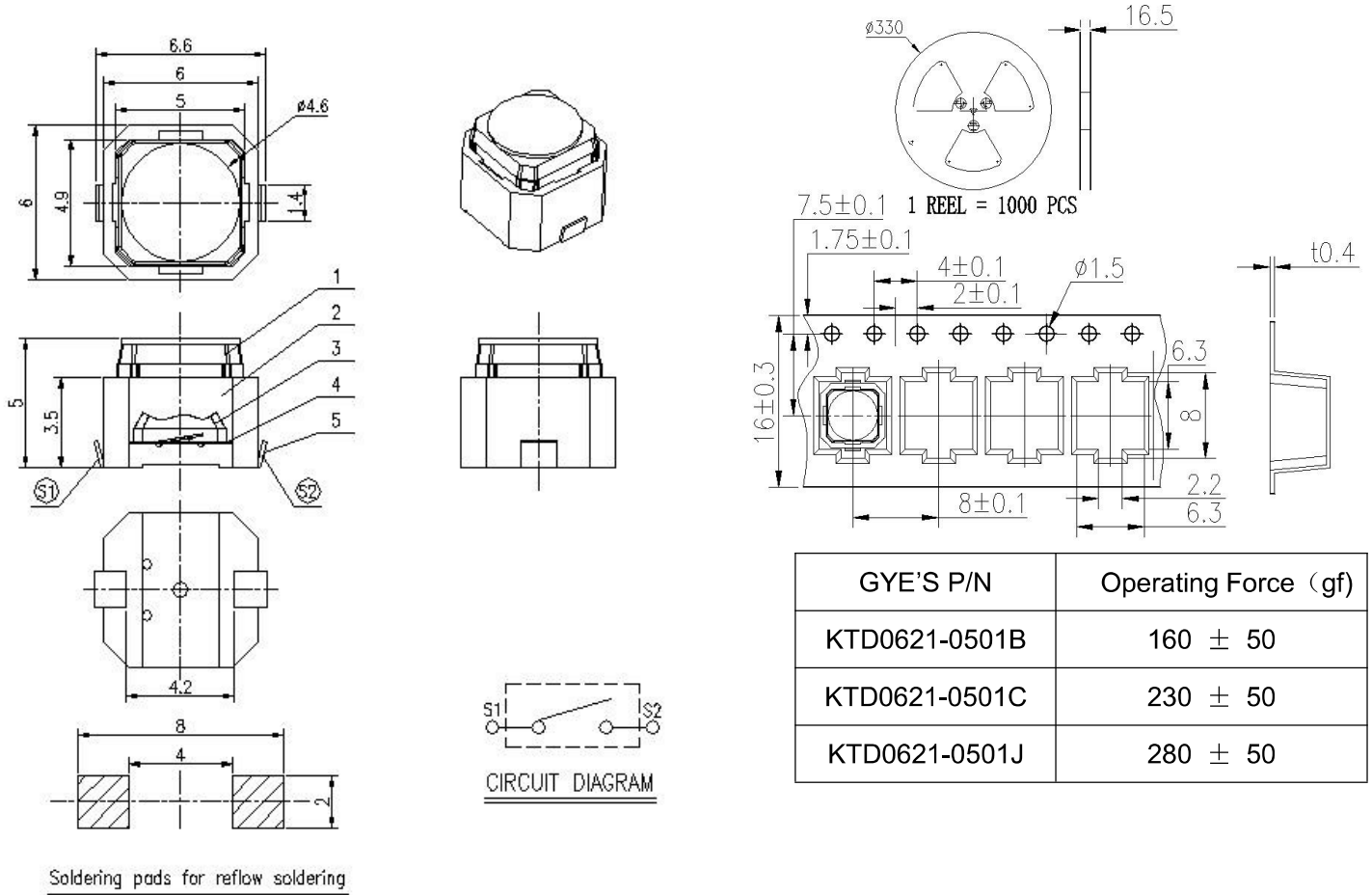


APPROVAL SPECIFICATIONS

CUSTOMER	CUSTOMER'S P/N	GYE'S P/N	PRODUCT	REVISION
		KTD0621-0501□	TACT SWITCH	C



GYE'S P/N	Operating Force (gf)
KTD0621-0501B	160 ± 50
KTD0621-0501C	230 ± 50
KTD0621-0501J	280 ± 50

General tolerance: ±0.2mm

NO.	NAME	MATERIAL	QTY	FINISHING
1	STEM	PA	1	BLACK
2	CASE	LCP	1	BLACK
3	CONTACT	SILICONE	1	YELLOW / BULE / RED
4	CONTACT	C5210	1	Ag plated
5	TERMINAL	C5191	1	Ag plated