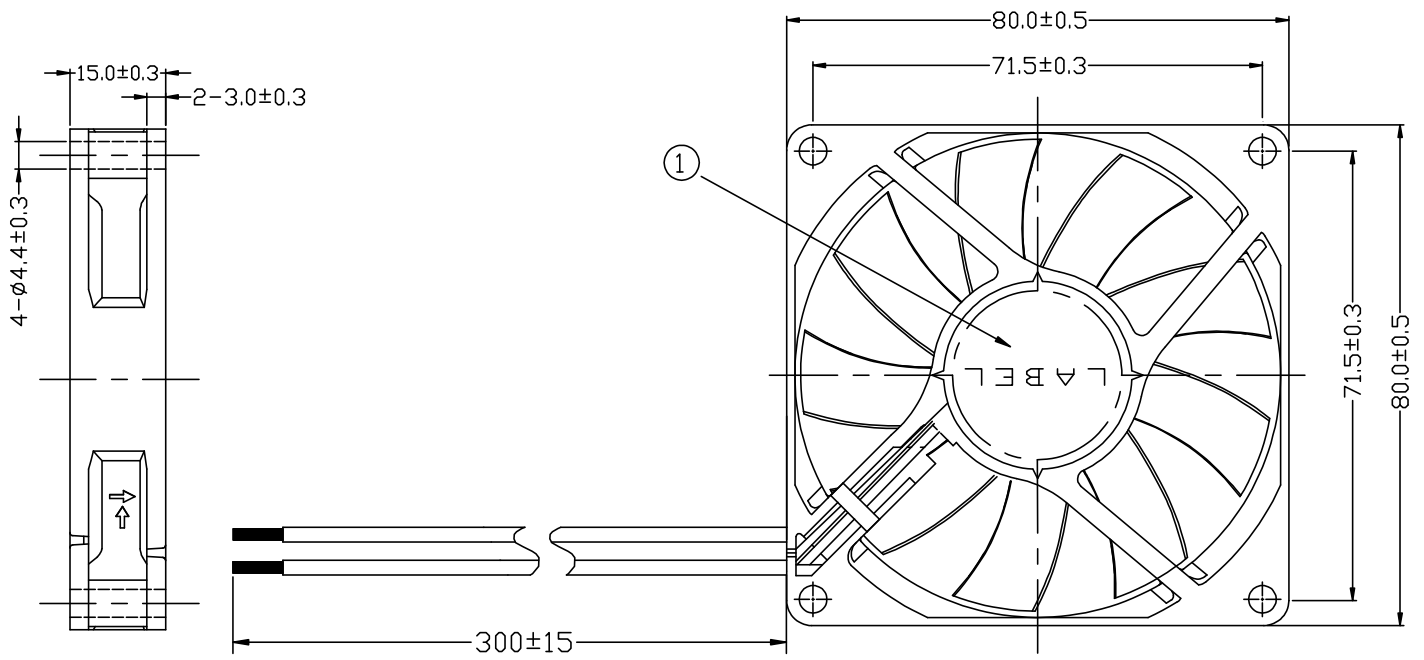


10. Dimension Drawing

Unit: mm



Lead Wire :UL1007, 24AWG; Red Positive(+); Black Negative(-)

No.	Qty	Part Name	Description
①	1	Label	