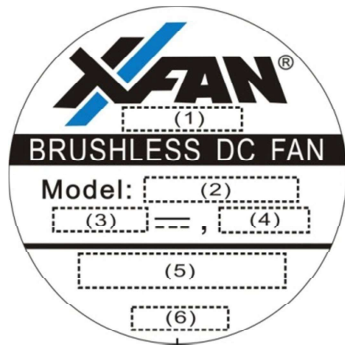


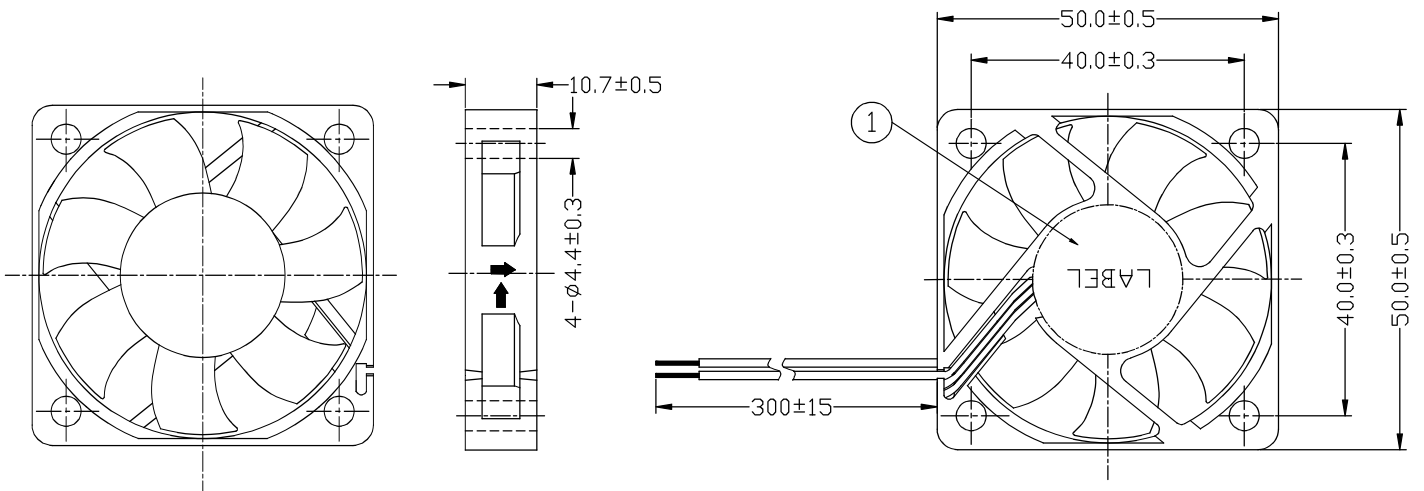
9. Label



(1)	制造日期 Date Code
(2)	型号 Model No.
(3)	电压 Voltage
(4)	电流 Current
(5)	安规 Safety Approvals
(6)	产地 Location

10. Dimension Drawing

Unit: mm



Lead Wire: UL1007, 26AWG; Red Positive(+); Black Negative(-);

No.	Qty	Part Name	Description
①	1	Label	