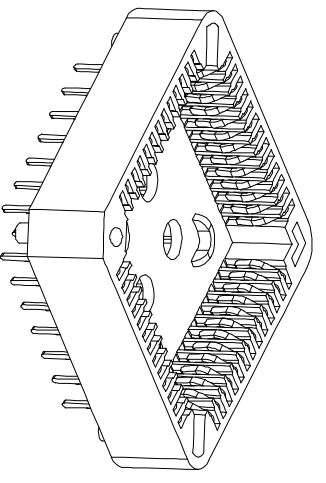
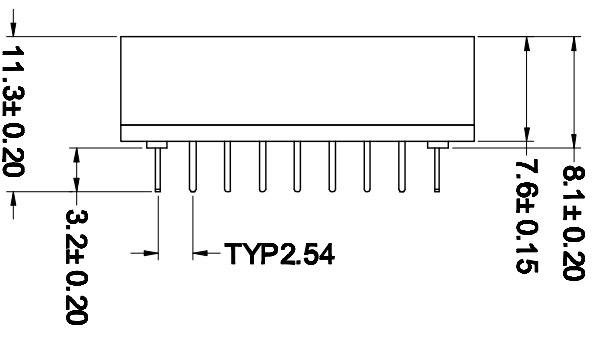
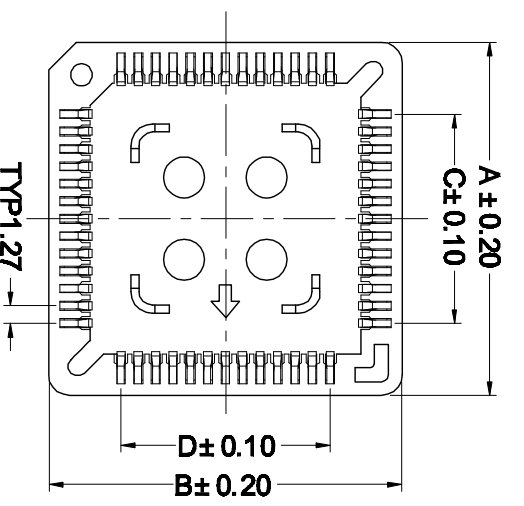


REV.	DESCRIPTION	DRAWN	CHECKED	APPROVED
A	NEW RELEASE	ZQJ 11/18/2014	~	CJJ 11/18/2014
B	ADD 50pin drawing	ZQJ 11/18/2014	~	CJJ 11/18/2014
C	ADD BR TYPE	CJJ 11/18/2014	~	CJJ 11/18/2014
D	REDRAWING	CJJ 11/18/2014	~	CJJ 11/18/2014
E	ADD P/N CODE	CJJ 11/18/2014		



Dimension

Position	A	B	C	D
20	15.58	15.58	5.08	5.08
28	18.12	18.12	7.62	7.62
32	18.12	20.66	7.62	10.16
44	23.20	23.20	12.70	12.70
52	25.74	25.74	15.24	15.24
68	30.82	30.82	20.32	20.32
84	35.90	35.90	25.40	25.40

GENERAL TOLERANCE		ANGLE TOLERANCE		PROJECTION		TITLE	
X	± 0.60	X	$\pm 5^\circ$	mm		PLCC SOCKET DIP TYPE	
X	± 0.38	X	$\pm 3^\circ$	A4	SERIES	LL1054-1	
.XX	± 0.25	.XX	$\pm 2^\circ$				
DRAWING TYPE CUSTOMER		SCALE		SHEET		1 OF 1	
DRAWING NO.		1:1		SHEET		1	