

Data Sheet

Type Number 6430
Designation IEC CR 2430
System Li-Manganese dioxide /
Organic Electrolyte

UL Recognition:..... MH 13654 (N)
Nominal Voltage 3 V
Typical Capacity C 280 mAh
Load 5.6 kOhm, at 20°C down to 2 V

Weight (approx.) 4 g
Volume 1,3 ccm
Coding..... Date of Manufacturing
Month/Year

Temperature Ranges	min	max.
Storage	-55°C	70°C
Discharge	-20°C	65°C

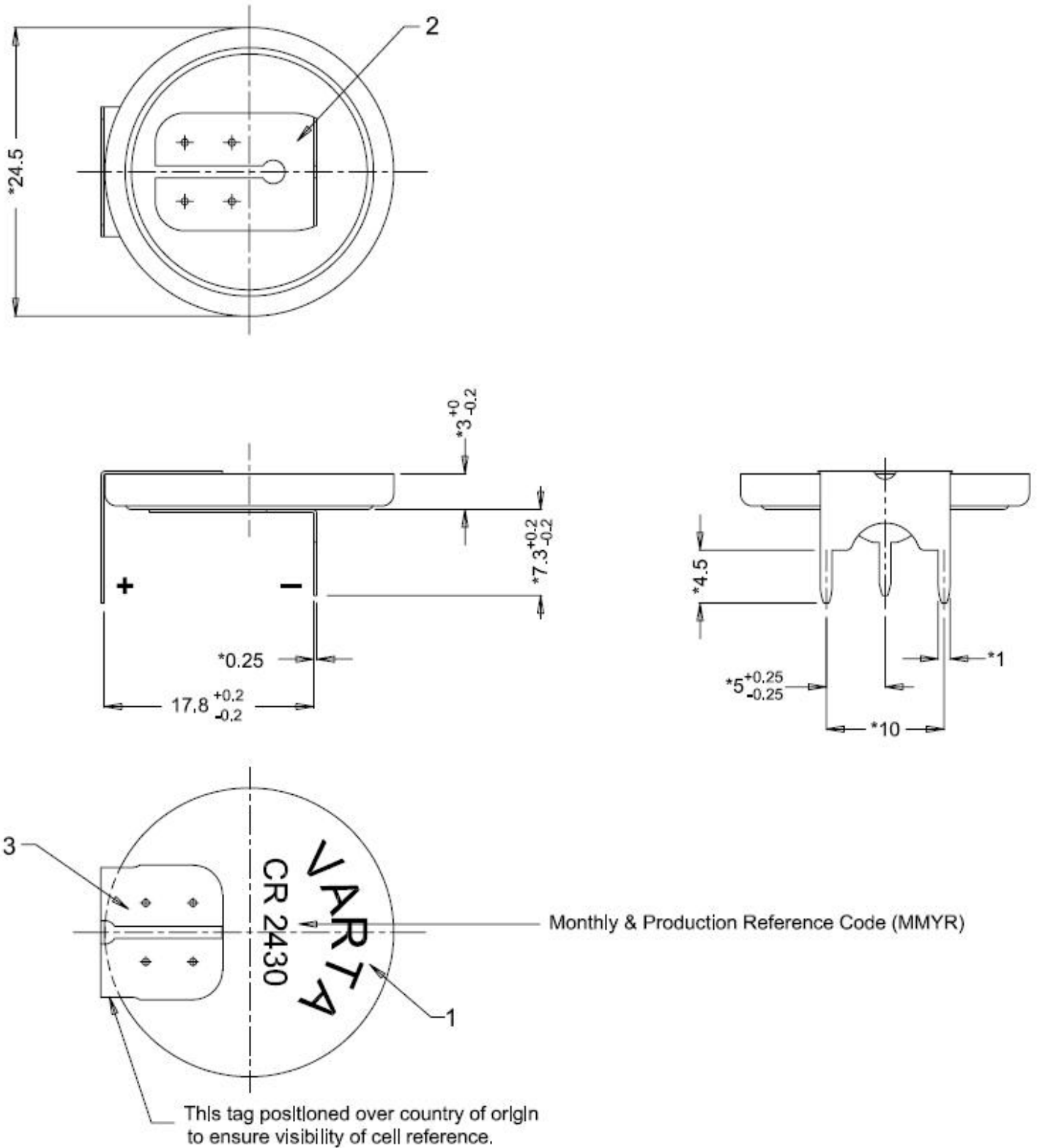
Segment Electronic

Main Applications Watch
Photo
Electronic

Typical Capacities (at 20°C)

Discharge Type	Load	End Voltage:	2.0 V
Continuous 24h/d,7d/w Current [μ A]:	5600 Ω	Time: Capacity [mAh]: Energy [mWh]:	560 h 280 785

Data Sheet



All Data contained herein is for single cells

For battery applications, performance data may vary from single cell data, depending on specific battery configuration

VARTA Microbattery GmbH, Daimlerstr. 1, D-73479 Ellwangen/Jagst
Tel.: (+49) 7961/921-0, Telefax: (+49) 7961/921-553

Subject to change without prior notice!

Date of issue: 2004-12-16