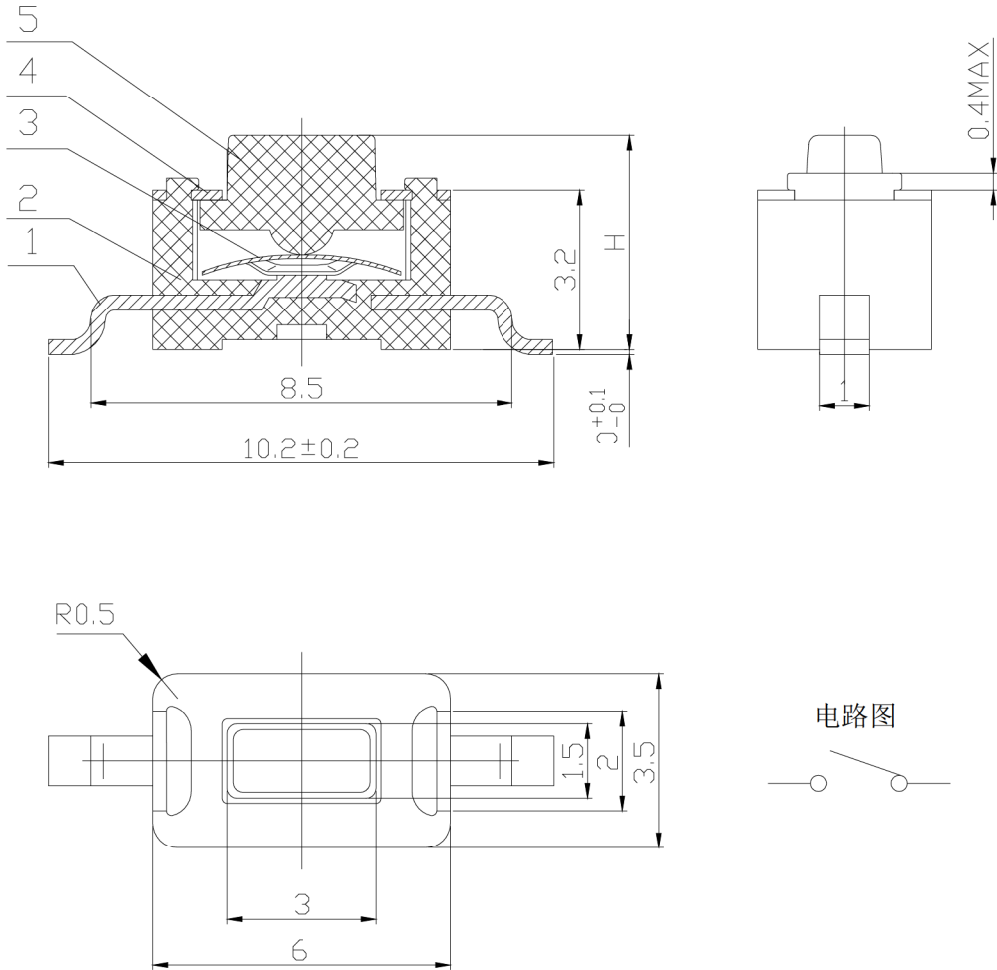


CUSTOMER	CUSTOMER'S P/N	P/N	PRODUCT	REVISION
		KAN3542B	TACT SWITCH	A



General tolerance: ±0.1mm

NO.	NAME	MATERIAL	NATIONALITY	QTY.	FINISHING
1	TERMINAL	Brass	China	1	Silver plating
2	CASE	FR52	USA	1	Black
3	CONTACT	STS 301R	Korea	1	Contact side silver plating
4	COVER	SUS 301		1	
5	STEM	FR52	USA	1	Black

APPROVE BY	黄蜀东 09.10.25	CHECKED BY	关林 09.10.25	PRPARE BY	曹盖 09.10.25
------------	--------------	------------	-------------	-----------	-------------