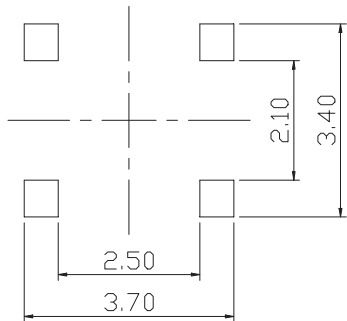
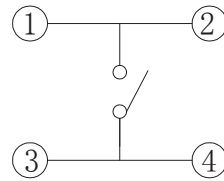
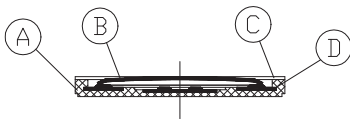
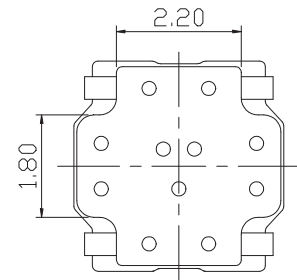
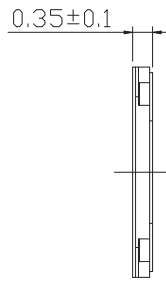
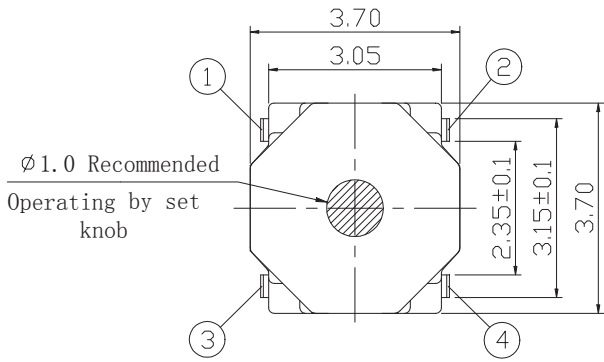


CUSTOMER	CUSTOMER'S P/N	GYE'S P/N	PRODUCT	REVISION
		KAN3742-035B020	TACT SWITCH	A



Printed Circuit board dimensions

Circuit diagram

General tolerance: ±0.1mm