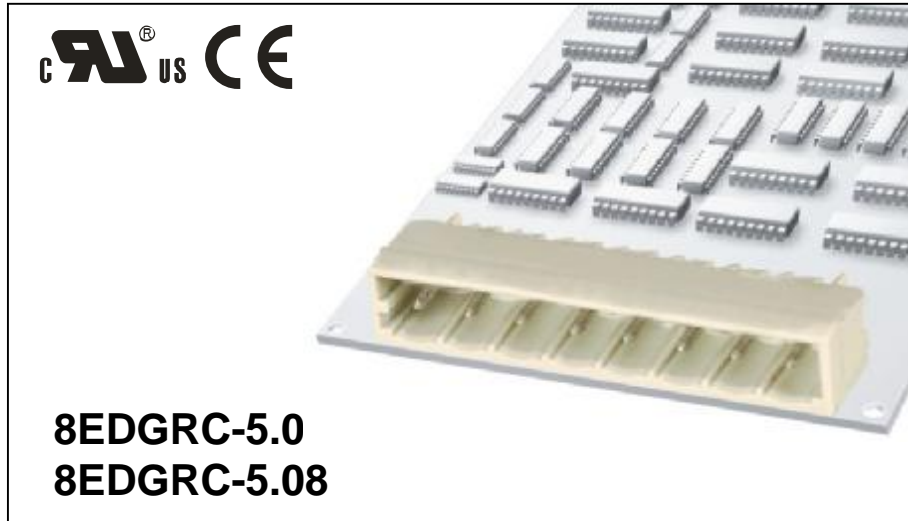


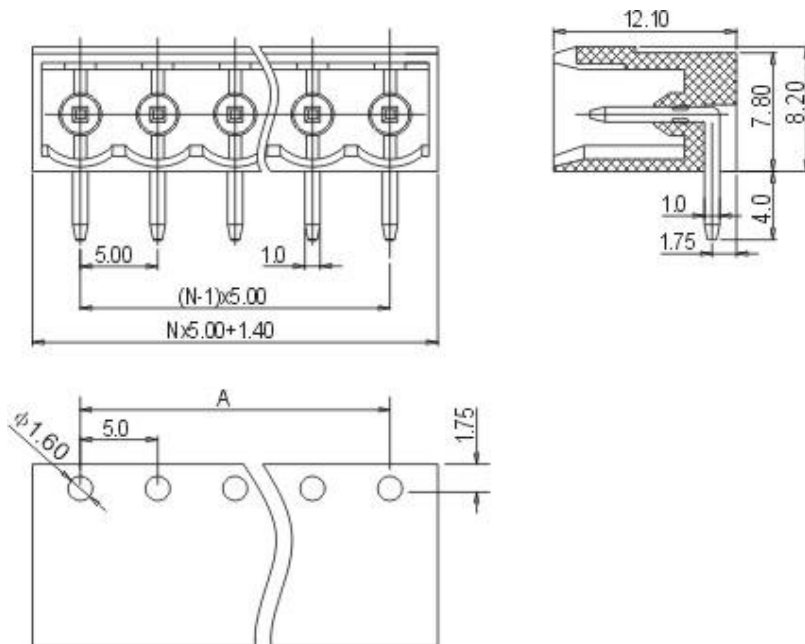


DEGSON ELECTRONICS CO., LTD.

Product Specification



Approval		
Electrical		
Standard	UL	IEC
Rated voltage	300V	320V
Rated current	15A	20A
With standing voltage	AC2500V/1Min	
Mechanical		
Ambient temperature	-40°C~+105 °C	
Dimensions		
Pitch	5.0(.197") 5.08mm(.200")	
Poles	2P-24P	
Material		
Housing	PA66,UL94V-0	
Pin header	Brass Tin-plated	



HOW TO ORDER :

- P - 1 -

Series No. No. of pole Color Customer Request

1	Gray	4	Green	7	Transp-arent
2	Blue	5	Orange	8	Yellow
3	Black	6	Red	9	white

	DEGSON ELECTRONICS CO., LTD.
	NAME 8EDGRC-5.0, 8EDGRC-5.08