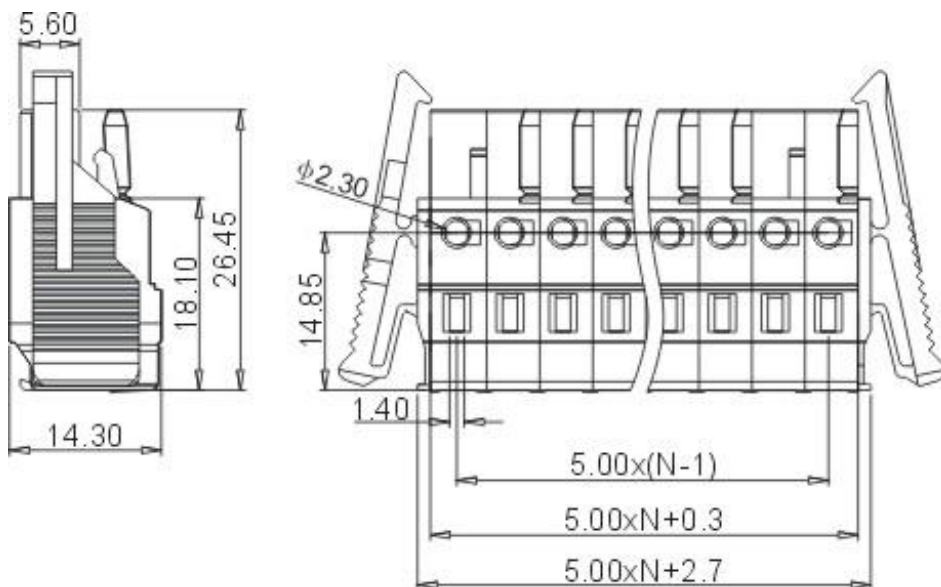



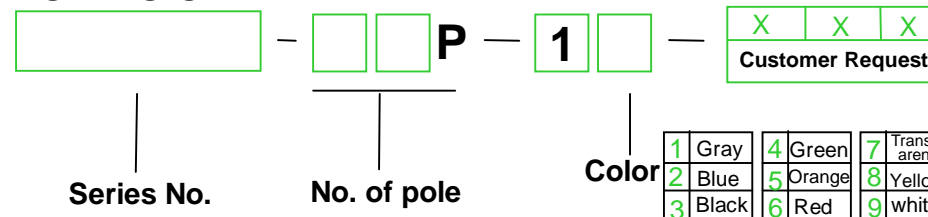


8EDGKG-5.0
8EDGKG-5.08



Approval		
Electrical	UL	IEC
Standard	UL	IEC
Rated voltage	300V	320V
Rated current	15A	20A
Wire range	22-14AWG	0.2-2.5mm ²
With standing voltage	AC2500V/1Min	
Mechanical		
Ambient temperature	-40°C~+105 °C	
Strip length	8mm	
Dimensions		
Pitch	5.0mm(.197") 5.08mm(.200")	
Poles	2P-22P	
Material		
Housing	PA66,UL94V-0	
Contact	Phosphor bronze	
Wire guard	Stainless steel	

HOW TO ORDER :



	 DEGSON ELECTRONICS CO., LTD.
	NAME 8EDGKG-5.0 8EDGKG-5.08