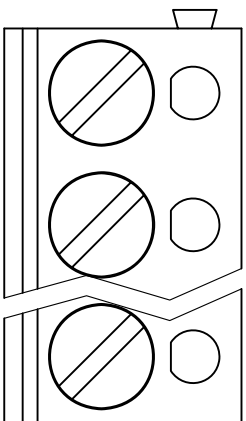
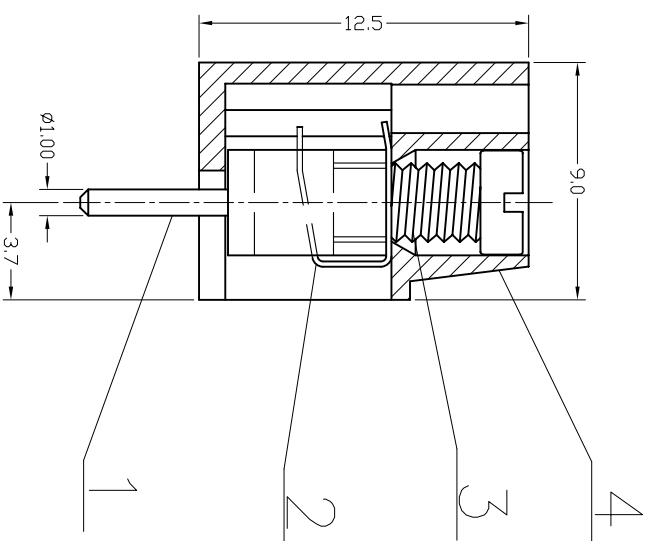
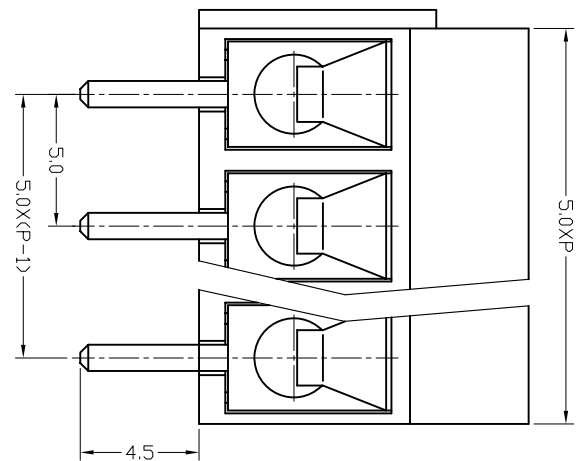


序号/Rev.No.	名称/Title	文件编号/File No.
1	XY300V端子	QJ/XYT-2124101
2	XY300弹片	QJ/XYT-2124102
3	XY300螺丝	QJ/XYT-2124103
4	XY300V-A塑件	QJ/XYT-2124104



300V 10A 22-14AWG 2.5mm²
 Poles: 2P&3P-24P
 Pitch: 5.0mm (.197")

Materials

Housing: PBT (UL 94-0)
 Wire Protector: Stainless Steel
 Solder Pin: Brass, Tin Plated
 Screw: M3, Steel (A3), Zinc Plated
 Torque: 0.5N. m

设计/Designed by	绘图/Drawn by	审核/Checked by	批准/Approved by	未注公差 General Tolerance	
				X	±0.2
				X	±0.1
				.XX	±0.05
				.XXX	±0.01
				X°	±0°
				.X°	±1°
				.XX°	±0.5°
				.XXX°	±0.5°
图名/Title	文件编号/File No.				
XY300VA-5.0 QJ/XYT-2224100					
产品图	页序/Sheet				
设计/Revision	更改记录/Revision note	签名/Signature	日期/Date		
XINILAIYA ELECTRONIC CO., LTD		新莱亚电子			
备注/Remark					
		单位/Units: mm			