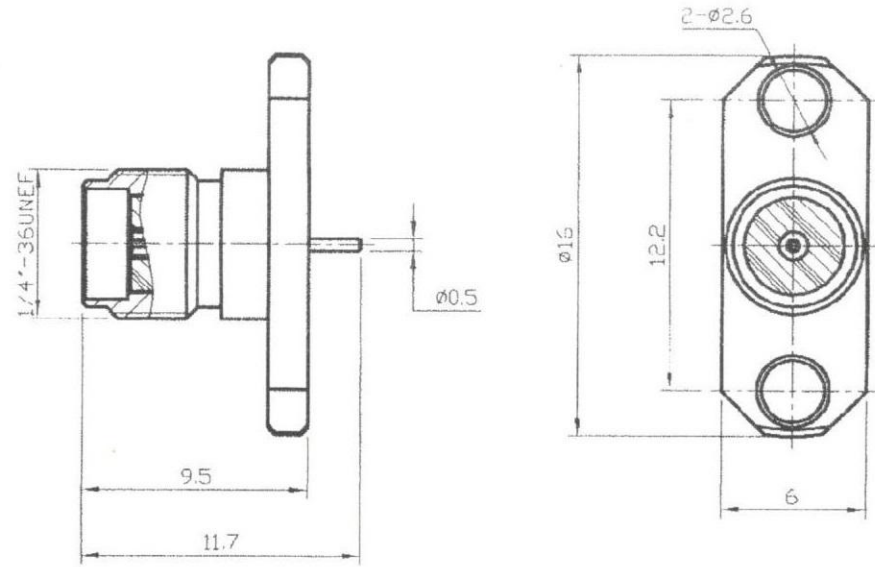

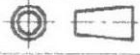


RoHS COMPLIANT



05	PRESS WASHER	BRASS	1	GOLD
04	INSULATOR	TEFLON	1	
03	CENTER PIN	BERYLLIUM COPPER	1	GOLD
02	INSULATOR	TEFLON	1	
01	BODY	BRASS	1	GOLD
NO	DESCRIPTION	MATERIAL	Q'TY	FINISH

DRAW	TITLE	TITLE	SMA907		SMA , Jack Panel Mount			
DESIGNED	MATERIAL				SCALE	5 : 1	DATE	DESCRIPTION
CHECKED	FINISH					± 0.4	96/01/11 B	
APPROVED	UNIT	m/m					96/12/29 C	
					DATE	95 12 28	REV	C