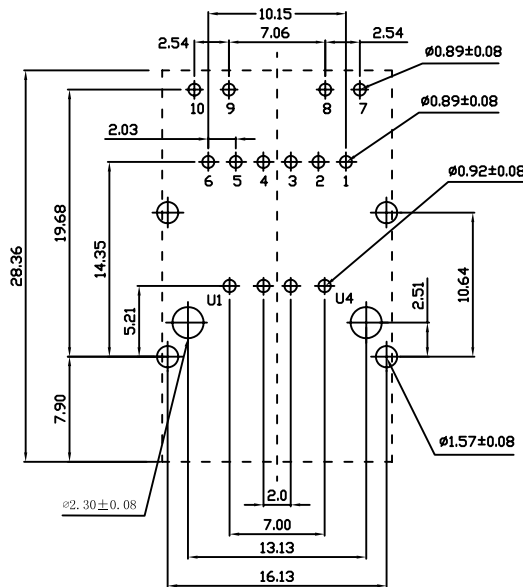
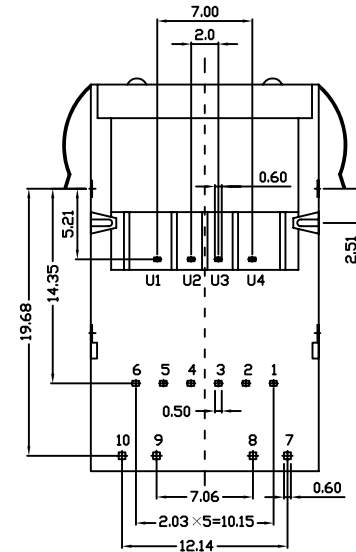
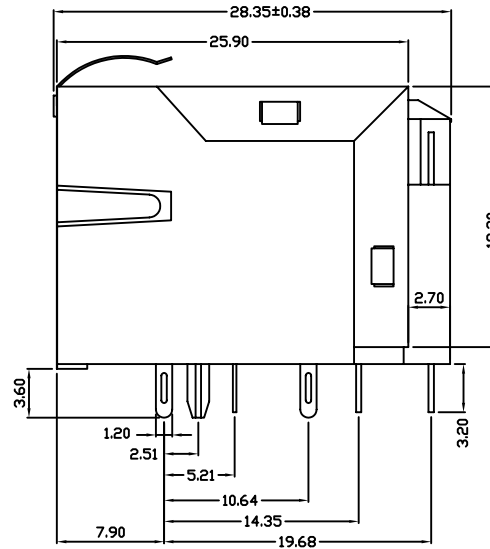
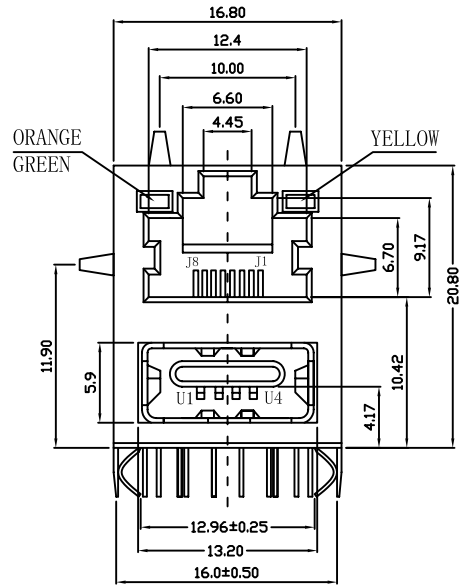


Mechanical:

| REV. | ECN NO. | DESCRIPTION | DATE | APPD |
|------|---------|-------------|------------|------|
| A | REL | | 13/06/2009 | |



Suggested PCB Layout (TOP VIEW)

NOTES:

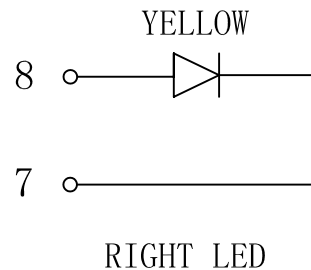
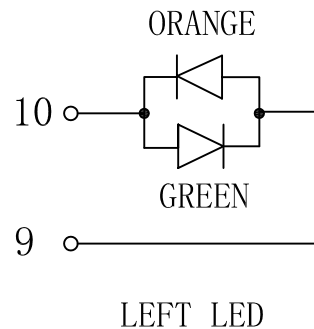
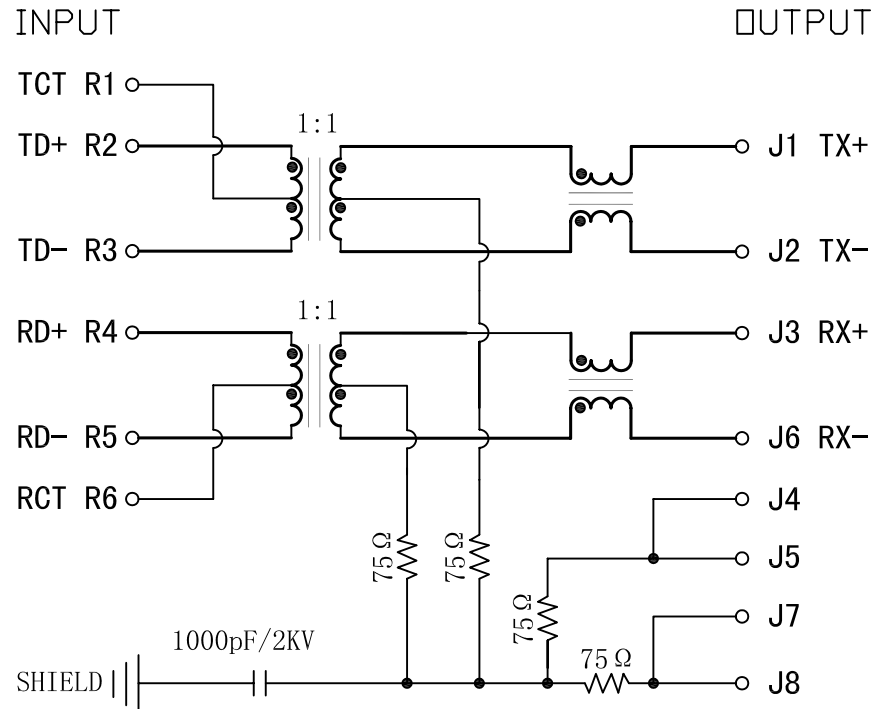
1. Designed to support application, such as SOHO (ADSL modems), LAN-on-Motherboard (LOM), hub and Switches.
2. Meets IEEE 802.3 specification
3. Connector Materials:
 Housing: Thermoplastic UL94V-0
 Contact/Shield: Copper alloy
 Shield plating: Nickel
 RJ-45 Contact plating: Gold 6 micro-inches min.
 In contact area
 USB Contact plating: Gold Flash
4. Wave solder tip temperature and time: 265°C MAX, 5 Sec MAX.



| | | | |
|--------|------------|------------|---|
| X:X | ±0.30 | APPD: | LINK-PP INT'L TECHNOLOGY CO., LIMITED |
| X:XX | ±0.20 | CHKD: | |
| X:XXX | ±0.10 | DR: TOM | TITLE: RJ45/Single USB Jack With 10/100 Magnetics |
| ANGLES | ±1° | UNIT: mm | PART NO.: LPJU3101A0NL |
| | SCALE: 2/1 | SHEET: 1/2 | REV: A DWG NO.: |

Schematic:

| REV. | ECN NO. | DESCRIPTION | DATE | APPD |
|------|---------|-------------|------------|------|
| A | REL | | 13/06/2009 | |



Transmitter filter & Receiver filter

- Type: Balance low pass 100Ω impedance
- INDUCTANCE @ 100KHz, 0.1V, 8mA, DC Bias
Input (R2-R3), Input (R4-R5): 350uH Min
- HIPOT TEST
Input (R2-R3) to Output (C1-C2):
1500VAC, 60sec
Input (R4-R5) to Output (C3-C6):
1500VAC, 60sec
- INSERTION LOSS:
-1.0dB MAX @ 1.0MHz TO 100MHz
- RETURN LOSS:
-18dB Min. load 100Ω @ 1MHz TO 30MHz
-16dB Min. load 100Ω @ 30MHz TO 60MHz
-12dB Min. load 100Ω @ 60MHz TO 80MHz
- CROSS TALK:
-30dB Min @ 1MHz TO 100MHz
- COMMON MODE REJECTION:
-30dB Min @ 1MHz TO 100MHz
- Operating Temperature: $0^{\circ}\text{C} \sim +70^{\circ}\text{C}$.

| | | | | |
|--------|-----------------|------------|---|----------|
| X:X | ± 0.30 | APPD: | LINK-PP INT'L TECHNOLOGY CO., LIMITED | |
| X:XX | ± 0.20 | CHKD: | TITLE: RJ45/Single USB Jack With 10/100 Magnetics | |
| X:XXX | ± 0.10 | DR: TOM | PART NO.: LPJU3101AONL | |
| ANGLES | $\pm 1^{\circ}$ | UNIT: mm | | |
| | SCALE: 2/1 | SHEET: 2/2 | REV: A | DWG NO.: |