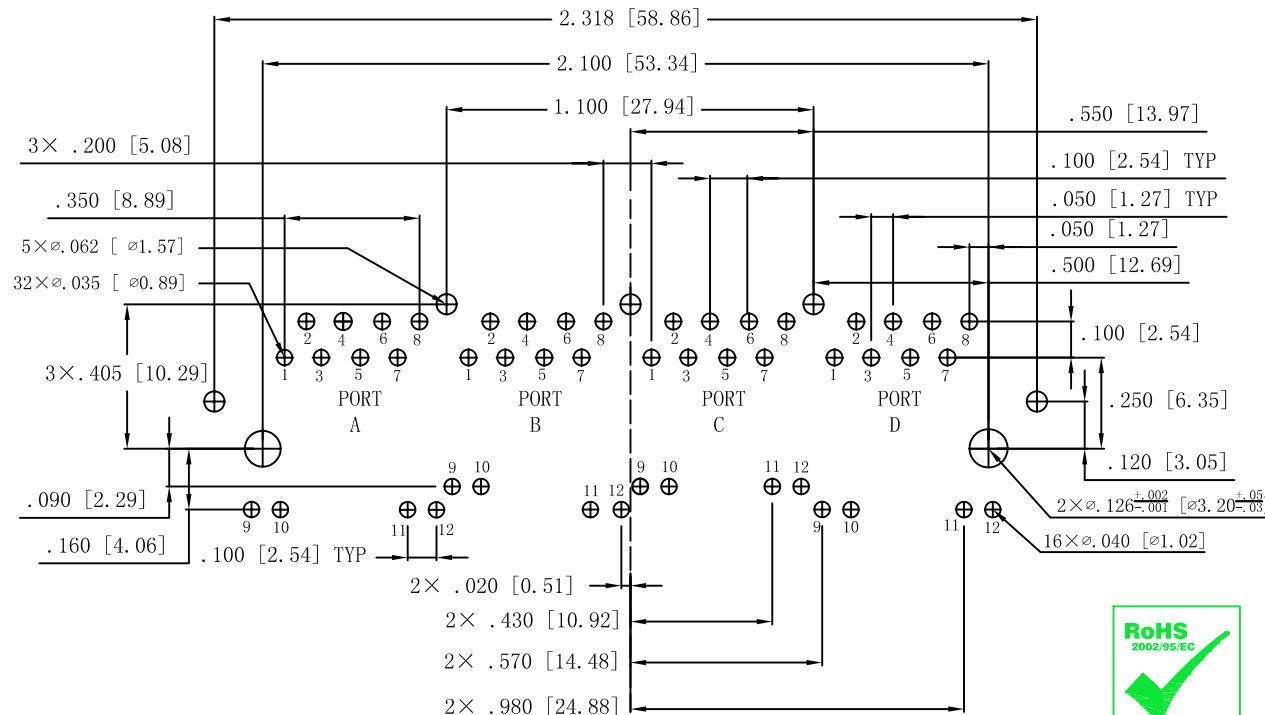
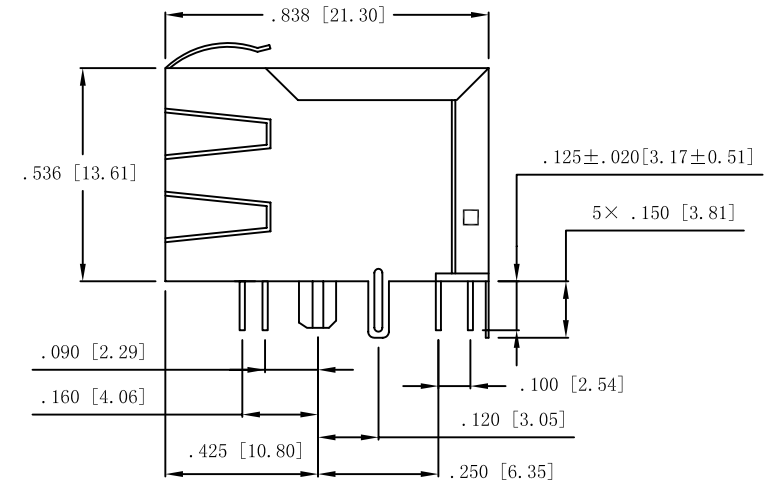
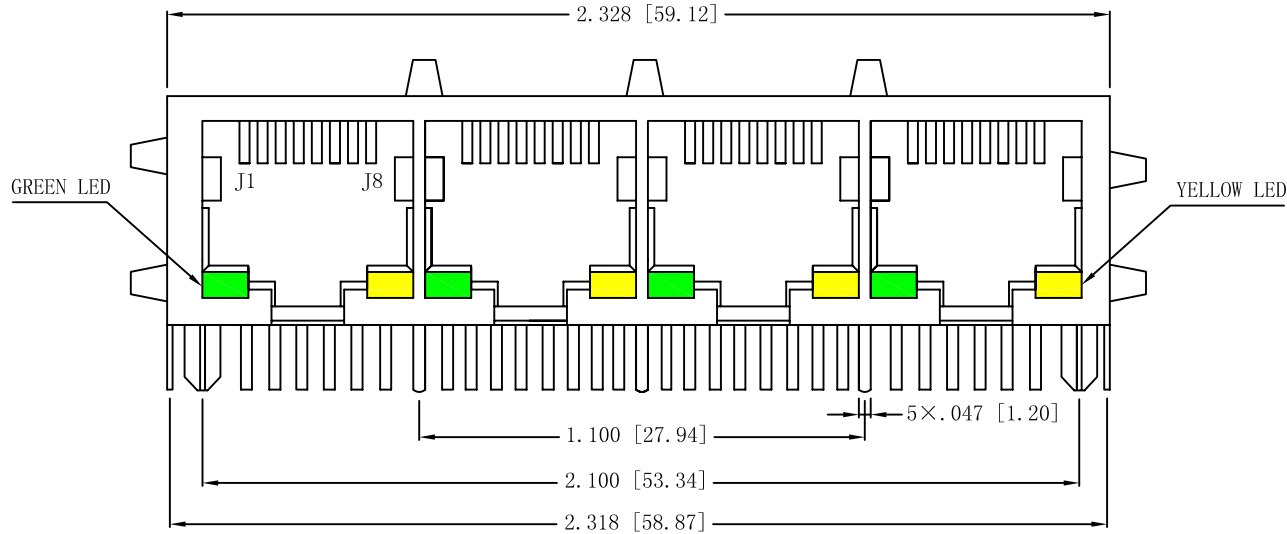


Mechanical:

REV.	ECN NO.	DESCRIPTION	DATE	APPD
A	REL		31/05/2009	



SUGGESTED PCB LAYOUT (TOP VIEW)



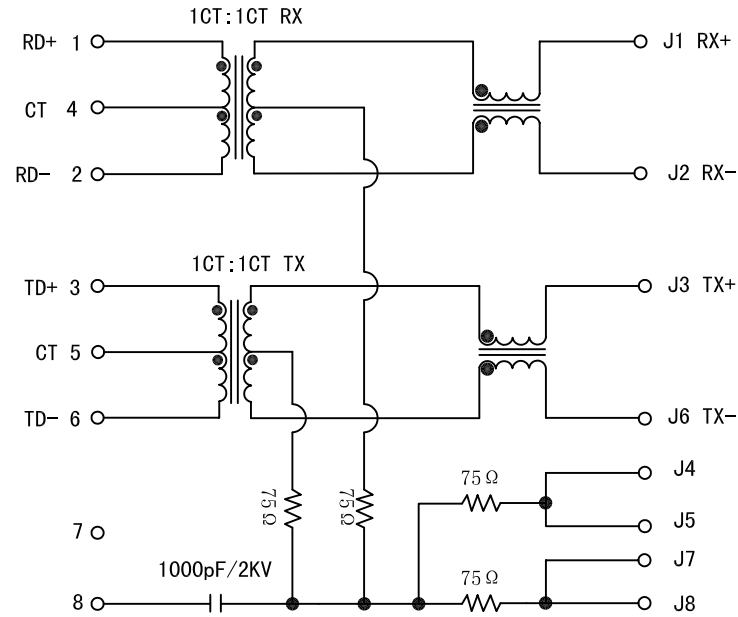
NOTES:

1. Designed to support application, such as SOHO (ADSL modems), LAN-on-Motherboard (LOM), hub and Switches.
2. Meets IEEE 802.3 specification
3. Connector Materials:
Housing: Thermoplastic UL94V-0
Contact/Shield: Copper alloy
Shield plating: Nickel
Contact plating: Gold 6 micro-inches min. In contact area.
4. Wave peak temperature: 260°C, 5Sec.

X:X	±0.20	APPD:	LINK-PP INT'L TECHNOLOGY CO., LIMITED	
X:XX	±0.10	CHKD:	Title: RJ45 1×4 Tab-Down Jack With 10/100 Base-TX Magnetic Modules	
X:XXX	±0.05	DR: TOM		
ANGLES	±1°	UNIT: Inches/mm	PART NO.:	LPJ46204AENL
	SCALE: 2/1	SHEET: 1/2	REV: A	DWG NO.: LP09053105

Schematic:

REV.	ECN NO.	DESCRIPTION	DATE	APPD
A	REL		31/05/2009	



GREEN/LEFT LED



YELLOW/RIGHT LED



Electrical Specification @25°C

1. TURNS RATIO ($\pm 2\%$):
TX=1CT:1CT RX=1CT:1CT
2. HIPOT:
1500VAC FOR 60 SECONDS
3. INSERTION LOSS:
-1.2dB MAX @ 0.1MHz TO 100MHz
4. RETURN LOSS:
-18dB MIN @ 1MHz TO 10MHz
-16dB MIN @ 30MHz
-12dB MIN @ 60MHz TO 100MHz
5. CROSS TALK:
-40dB MIN @1MHz TO 10MHz
-35dB MIN @30MHz TO 60MHz
-30dB MIN @60MHz TO 100MHz
6. COMMON TO COMMON MODE REJECTION:
-30dB MIN @1MHz TO 50MHz
-20dB MIN @50MHz TO 150MHz
7. OPERATING TEMPERATURE: 0~70°C.



X:X	± 0.20	APPD:	LINK-PP INT'L TECHNOLOGY CO., LIMITED
X:XX	± 0.10	CHKD:	
X:XXX	± 0.05	DR: TOM	
ANGLES	$\pm 1^\circ$	UNIT: Inches/mm	<i>Title:</i> RJ45 1×4 Tab-Down Jack With 10/100 Base-TX Magnetic Modules PART NO. : LPJ46204AENL
	SCALE: 2/1	SHEET: 2/2	REV: A DWG NO. : LP09053105