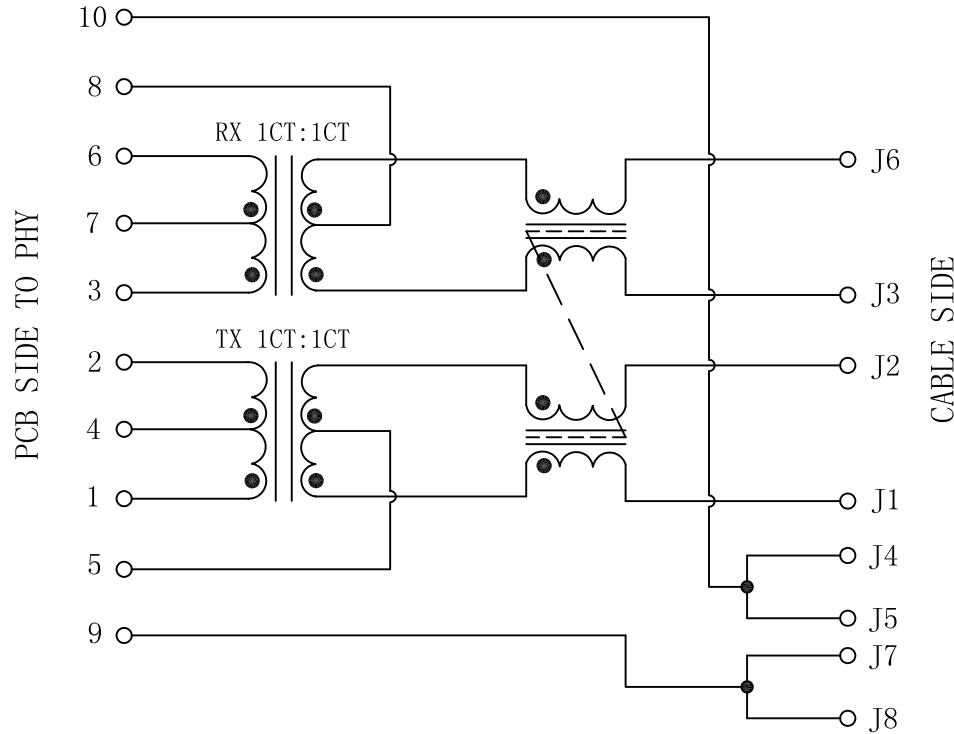


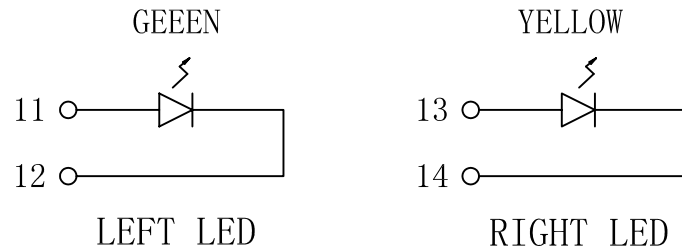
Schematic:

REV.	ECN NO.	DESCRIPTION	DATE	APPD
A	REL		29/08/2009	



ELECTRICAL SPECIFICATIONS@25°C

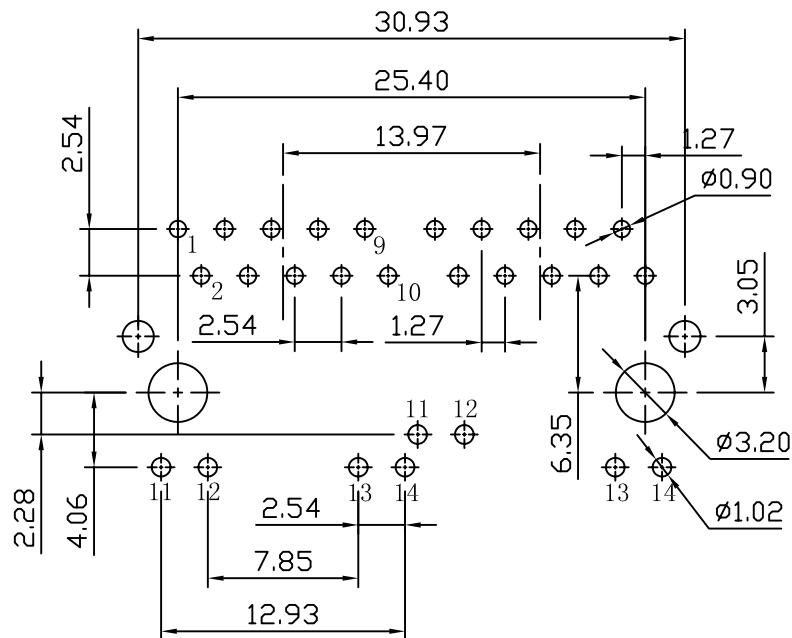
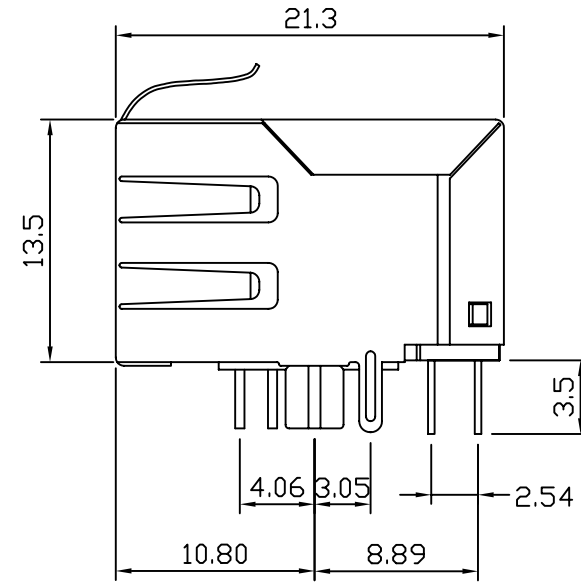
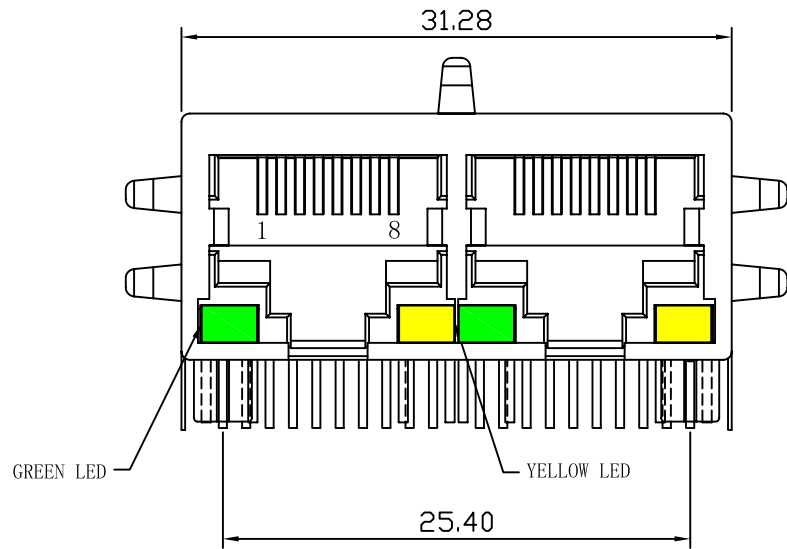
- Turn Ratio ($\pm 3\%$):
TX=1CT:1CT RX=1CT:1CT
- Inductance OCL:
350uH MIN@100KHz/0.1V, 8mA DC Bias
- Insertion Loss:
-1.2dB MAX @ 1-100MHz
- Return Loss:
-16dB MIN @ 1-30MHz
-14dB MIN @ 40MHz
-13dB MIN @ 50MHz
-12dB MIN @ 60-80MHz
- Cross talk:
-43dB MIN @ 30MHz
-37dB MIN @ 60MHz
-33dB MIN @ 100MHz
- Differential to Common Mode Rejection:
-50dB MIN @ 30MHz
-43dB MIN @ 60MHz
-35dB MIN @ 100MHz
- Hipot Test: 1200Vrms MIN
- Operating Temperature Range: -40°C TO +85°C.



X:X ±0.25	APPD:	LINK-PP INT'L TECHNOLOGY CO., LIMITED
X:XX ±0.20	CHKD:	
X:XXX ±0.05	DR: TOM	
ANGLES ±1°	UNIT: mm	TITLE: RJ45 Connector with 10/100 Base-T Integrated Magnetics & PoE
		PART NO.: LPJ26514AENL
	SCALE: 2/1	SHEET: 1/2
	REV: A	DWG NO.: LP09082903

Mechanical:

REV.	ECN NO.	DESCRIPTION	DATE	APPD
A	REL		29/08/2009	



SUGGESTED PCB LAYOUT (TOP VIEW)

NOTES:

1. Designed to support application, such as SOHO (ADSL modems), LAN-on-Motherboard (LOM), hub and Switches.
2. Meets IEEE 802.3 specification
3. Connector Materials:
Housing: Thermoplastic UL94V-0
Contact/Shield: Copper alloy
Shield plating: Nickel
Contact plating: Gold 6 micro-inches min. In contact area.
4. Support Power over Ethernet (PoE).



X:X ±0.25	APPD:	LINK-PP INT'L TECHNOLOGY CO., LIMITED
X:XX ±0.20	CHKD:	
X:XXX ±0.05	DR: TOM	TITLE: RJ45 Connector with 10/100 Base-T Integrated Magnetics & PoE
ANGLES ±1°	UNIT: mm	PART NO.: LPJ26514AENL
	SCALE: 2/1	SHEET: 2/2
	REV: A	DWG NO.: LP09082903