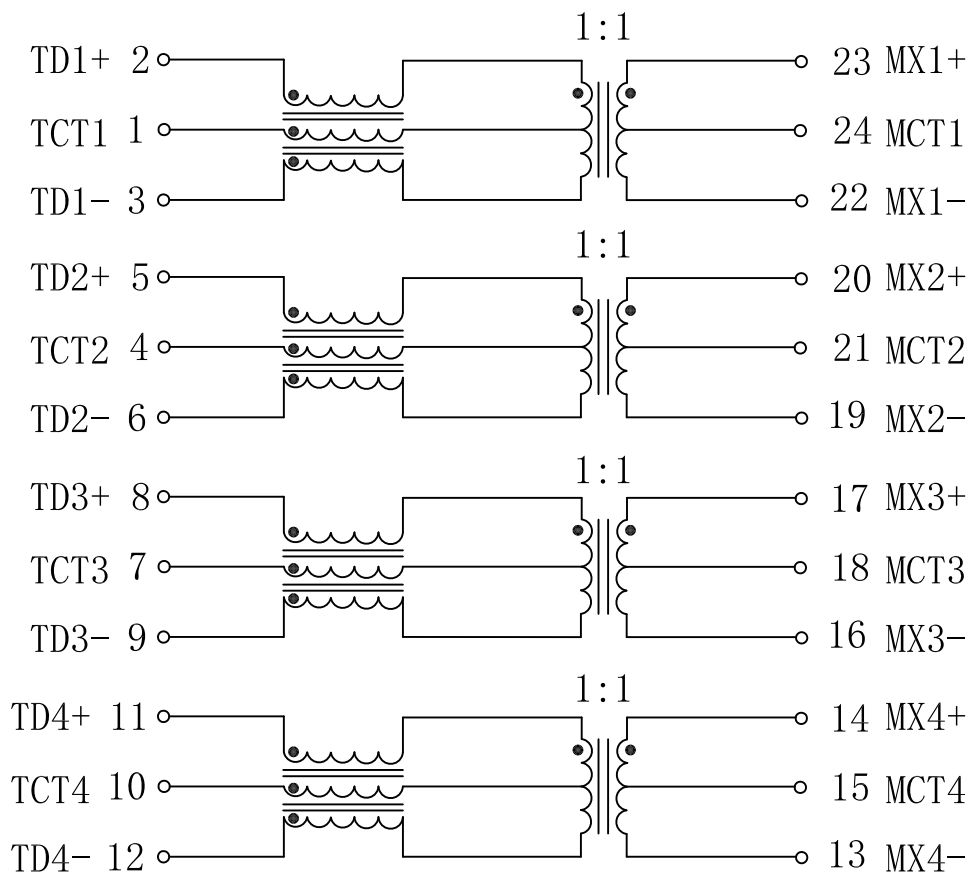


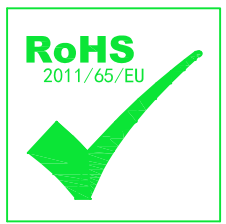
# Schematic:

REV.	ECN NO.	DESCRIPTION	DATE	APPD
A	REL		2016-04-02	



## ELECTRICAL SPECIFICATIONS @25°C

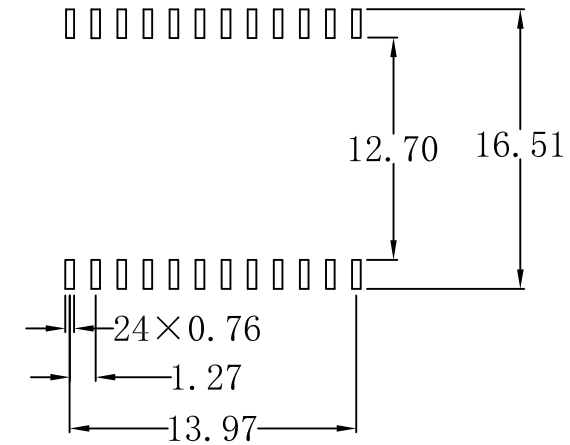
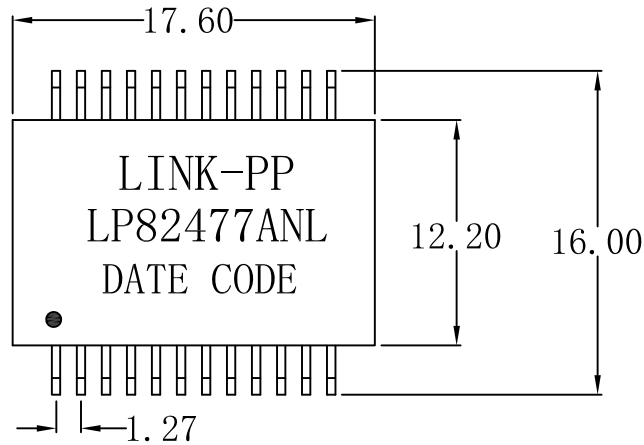
- Turn Ratio ( $\pm 3\%$ ):  
TX=1CT:1CT      RX=1CT:1CT
- Inductance OCL:  
120uH MIN @ 100KHz 0.1V 28mA DC Bias
- DC Resistance: 0.30 OHMS TYP.
- Insertion Loss:  
-1.2dB MAX @ 100MHz  
-0.2-0.002\*f<sup>1.4</sup> dB MAX @ 1-125 MHz
- Return Loss:  
-16dB MIN @ 1-40MHz  
-10+20\*LOG<sub>10</sub>(f/80 MHz) dB MIN @ 40-100 MHz
- Cross talk:  
-50dB MIN @ 1MHz  
-55+22\*LOG<sub>10</sub>(f/10) dB MIN @ 10-100 MHz
- Common Mode Rejection:  
-50dB MIN @ 2MHz  
-15+20\*LOG<sub>10</sub>(f/200) dB MIN @ 30-200 MHz
- DC Current/Voltage Rating:  
1200mA @ 57 V (Continuous)
- Hipot Test: 1500Vrms
- Operating Temperature Range: -40°C TO +85°C.



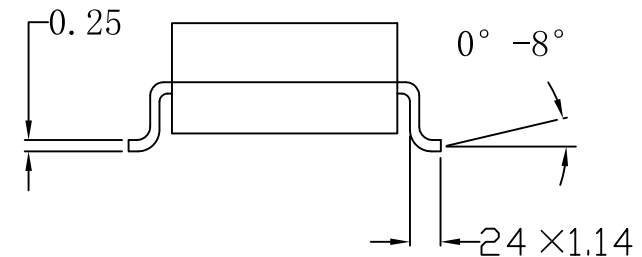
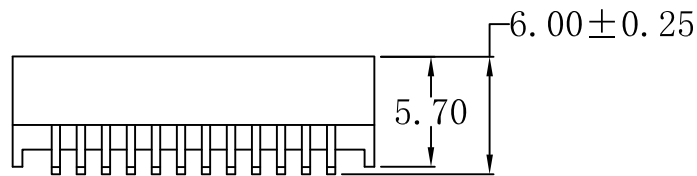
X:X	APPD:	LINK-PP INT'L TECHNOLOGY CO., LIMITED		
X:XX ±0.25	CHKD:	TITLE: 1000Base-T Single Port Transformer Modules For PoE+ Application		
X:XXX	DR: TOM	PART NO.: LP82477ANL		
ANGLES ±1°	UNIT: mm			
	SCALE: 2/1	SHEET: 1/2	REV: A	DWG NO.: LP16040219

# Mechanical :

REV.	ECN NO.	DESCRIPTION	DATE	APPD
A	REL		2016-04-02	



SUGGESTED PAD LAYOUT



## NOTES:

1. Designed to support application, such as SOHO (ADSL modems), LAN-on-Motherboard (LOM), hub and Switches.
2. Meets IEEE 802.3at specification.
3. Maximum reflow temperature is 250°C, 5 Sec.
4. UL certification: file number E484635.



X:X	APPD:	LINK-PP INT'L TECHNOLOGY CO., LIMITED
X:XX ±0.25	CHKD:	TITLE: 1000Base-T Single Port Transformer Modules For PoE+ Application
X:XXX	DR: TOM	PART NO.: LP82477ANL
ANGLES ±1°	UNIT: mm	
	SCALE: 2/1	SHEET: 2/2
	REV: A	DWG NO.: LP16040219