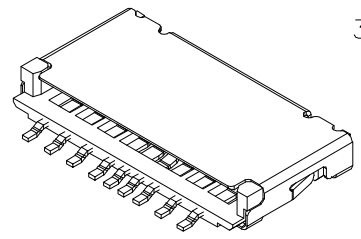
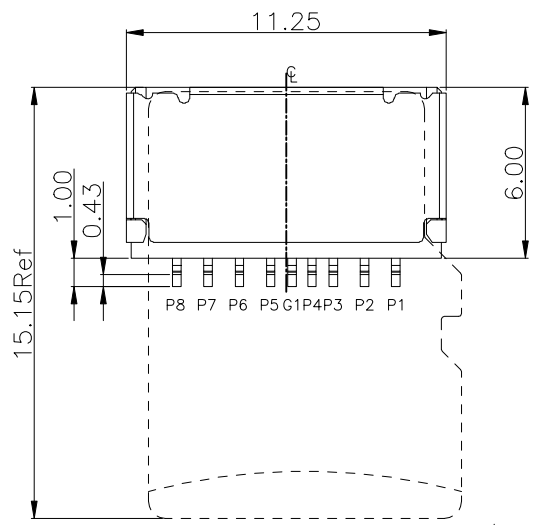


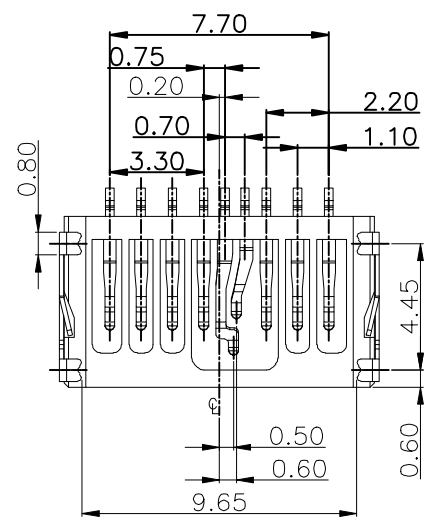
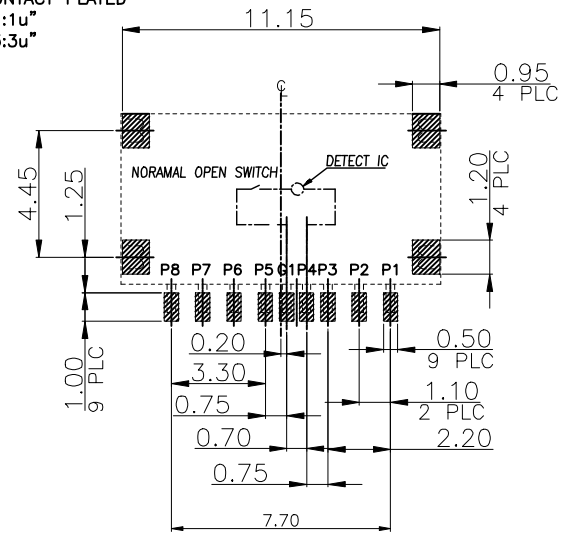
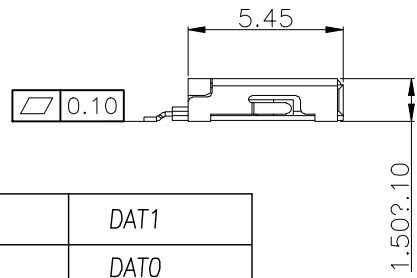
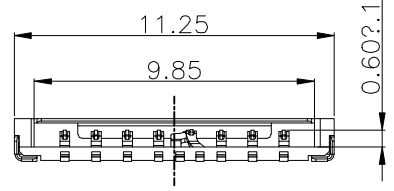
REV.	ECN.NO.	MODIFY.CONTENT	DATE
A		NEW	2011/10/31
B			2014/03/28

NOTES:

- MATERIAL:
HOUSING: HIGHT-TEMP. PLASIC UL 94V-0
CONTACT: COPPER ALLOY,T=0.15
SHELL: STAINLESS STEEL ,T=0.15
- FINISH :
CONTACT:GOLD FLASH PLATED ON CONTACT AREA;
GOLD FLASH PLATING ON SOLDER TAILS,
SHELL: NICKEL PLATED OVERALL,
- PART NO.:



ATFF S 170 X XX B R 016
 SMT TYPE
 APPEARANCE
 SHELL PLATED
 A:NICKEL
 S:MATTE TIN
 N:NONE
 PLATED
 T/R PACK
 COLOR
 B:BLACK
 CONTACT PLATED
 01:1u"
 03:3u"



P8	DAT1
P7	DAT0
P6	VSS
P5	CLK
G1	SWITCH
P4	VDD
P3	CMD
P2	CD/DAT3
P1	DAT2
PIN NUMBER	PIN NUMBER

RECOMMENDED PCB LAYOUT
TOL:(±0.05)

GENERAL TOLERANCE		DWG NO.	LZA0713-001	APPD:	WIND	Scale	1:1
X.±0.45	x.'±5'	Title	T-FLASH CONN (SIMPLE SWITCH TYPE)	CHKD:		UNIT	mm
.X±0.35	.x'±2'			DR:			
.XX±0.25	.xx'±1'	Part NO.	ATFFS150A01BR016	Date	2013/07/13		
.XXX±0.15	.xxx'±0.5'	东莞市捷圣泰电子科技有限公司 Dongguan JASSTA Electronics Co.,LTD					
SHEET	1/1						