

92*92*25mm



Maxair™

20 ~ 34 CFM

Specifications

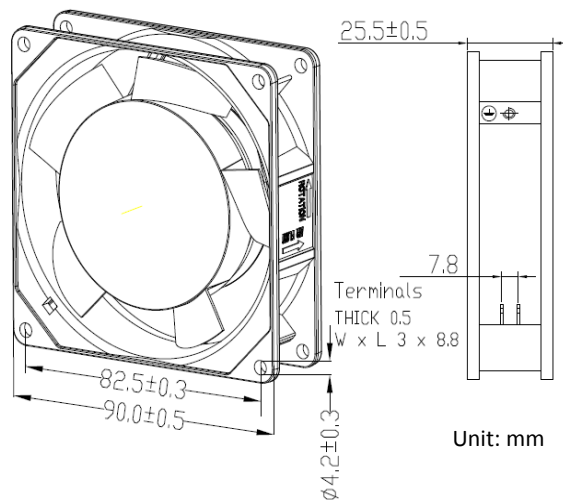
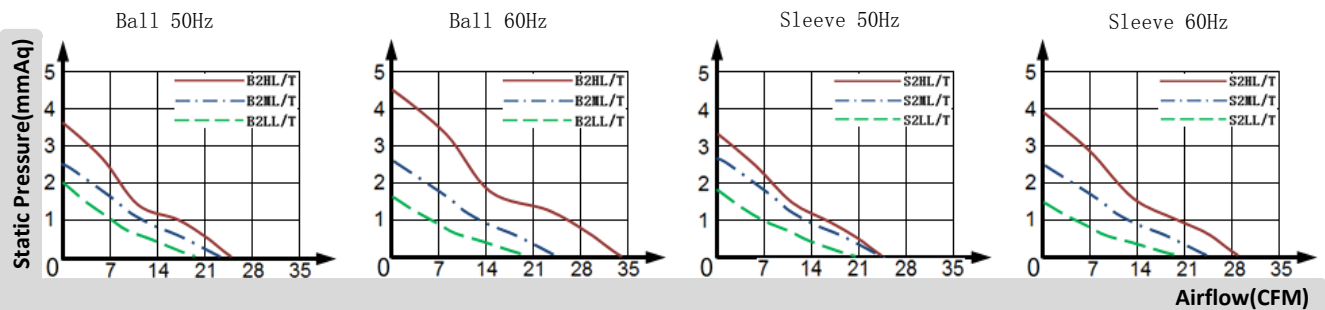
Model	Bearing	Voltage	Frequency	Current	Power	Speed	Air Flow		Static Pressure	Noise
		VAC	Hz	A	W	RPM	CFM	m ³ /min	mm H ₂ O	dB-A
9225B2HL	Ball	220-240	50/60	0.07/0.06	12/10	2600/3050	25/34	0.71/0.96	3.6/4.5	34/37
9225B2HT	Ball	220-240	50/60	0.07/0.06	12/10	2600/3050	25/34	0.71/0.96	3.6/4.5	34/37
9225B2ML	Ball	220-240	50/60	0.05/0.04	8/6.4	2300/2500	24/24	0.68/0.68	2.5/2.7	31/33
9225B2MT	Ball	220-240	50/60	0.05/0.04	8/6.4	2300/2500	24/24	0.68/0.68	2.5/2.7	31/33
9225B2LL	Ball	220-240	50/60	0.03/0.02	5/4	2100/2000	20/20	0.57/0.57	2.0/1.6	28/27
9225B2LT	Ball	220-240	50/60	0.03/0.02	5/4	2100/2000	20/20	0.57/0.57	2.0/1.6	28/27
9225S2HL	Sleeve	220-240	50/60	0.07/0.06	12/10	2500/2850	25/29	0.71/0.82	3.2/3.9	33/36
9225S2HT	Sleeve	220-240	50/60	0.07/0.06	12/10	2500/2850	25/29	0.71/0.82	3.2/3.9	33/36
9225S2ML	Sleeve	220-240	50/60	0.05/0.04	9/7.3	2300/2300	24/24	0.68/0.68	2.6/2.4	31/32
9225S2MT	Sleeve	220-240	50/60	0.05/0.04	9/7.3	2300/2300	24/24	0.68/0.68	2.6/2.4	31/32
9225S2LL	Sleeve	220-240	50/60	0.04/0.03	8/6.4	2100/2100	20/20	0.57/0.57	1.9/1.5	28/28
9225S2LT	Sleeve	220-240	50/60	0.04/0.03	8/6.4	2100/2100	20/20	0.57/0.57	1.9/1.5	28/28

All model could be customized.

Safety: UL/TUV/CE/CCC

Specifications are subject to change without notice.

Air Flow-Static Pressure Characteristics



Frame: Aluminum alloy

Impeller: PBT Plastic

Protected: Impedance protected

Connection: Lead Wire or Terminals

Ball Bearing: -20 °C to +70 °C

Sleeve Bearing: -10 °C to +70 °C

Package: 50PCS/CTN