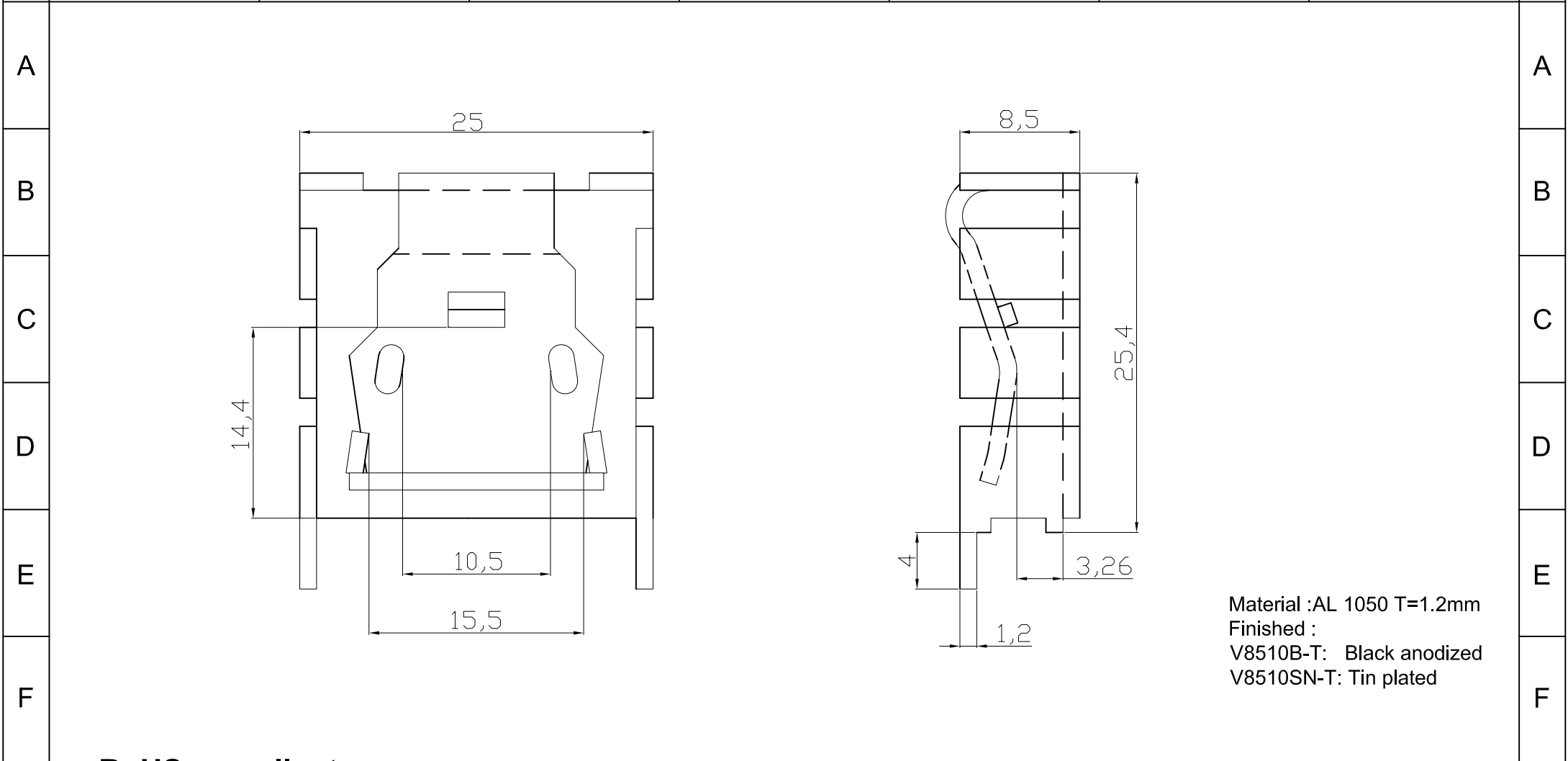


1 2 3 4 5 6 7



Material :AL 1050 T=1.2mm  
 Finished :  
 V8510B-T: Black anodized  
 V8510SN-T: Tin plated

**RoHS compliant**  
 Unit: mm

Scale	FREE							Date	Name	Customer-No.
TOLERANCE						Drawn	21.02.2013	Amy		
						Approved	21.02.2013	Amy		
UNIT	±0,25									ASSMANN WSW-No.
DIM	TOL									V8510x-T
										Drawing-No.
										ASS 2081 HS
										rev00
										Sheet
		©	Drawn	21.02.2013	Amy					
		Id.	Modification	Date	Name			Replace		

1 2 3 4 5 6 7 KT1710