

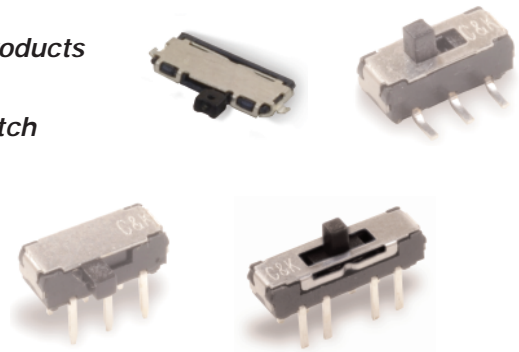
# JS Series Sub-Miniature Slide Switches

## Features/Benefits

- Positive detent
- Low profile
- IR reflow to 260° solder profile
- Surface and thru hole mounting
- SPDT, DPDT, DP3T models
- RoHS compliant

## Typical Applications

- Telecommunication products
- Computer peripherals
- Thermostat select switch
- Instrumentations



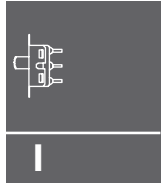
## Specifications

CONTACT RATING: 6 VDC @ 0.3A  
 ELECTRICAL LIFE: 5,000 make-and-break cycles  
 CONTACT RESISTANCE: 70 m Ω max.  
 INSULATION RESISTANCE: 100 M Ω min. @ 500V.  
 DIELECTRIC STRENGTH: 500 VAC min. @ sea level.  
 OPERATING TEMPERATURE: -40°C to +85°C  
 STORAGE TEMPERATURE: -40°C to +85°C

NOTE: Specifications and materials listed above are for switches with standard options.  
 For information on specific and custom switches, consult Customer Service Center.

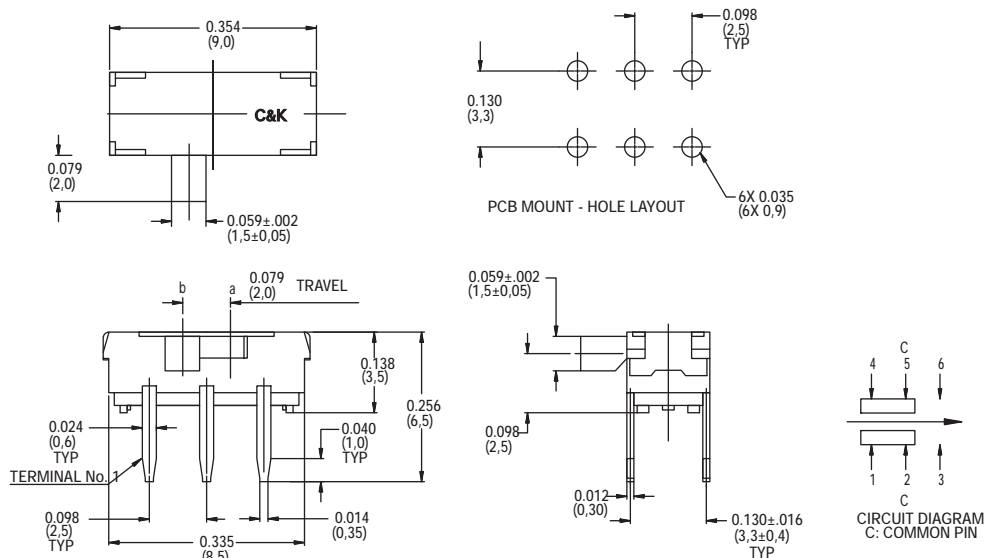
## Materials

HOUSING: 4/6 nylon (UL94V-2), black.  
 ACTUATOR: 4/6 nylon (UL94V-2), black (some options white).  
 CONTACTS: Copper alloy, silver plated.  
 TERMINALS: Brass, silver plated



Slide

## RIGHT ANGLE, PC THRU-HOLE

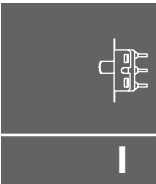


Shown in position b

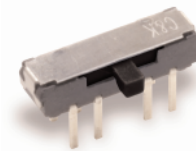
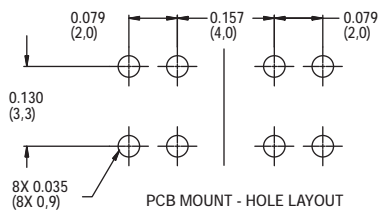
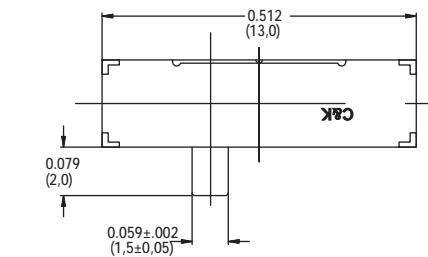
Shown in position b

# JS Series Sub-Miniature Slide Switches

RIGHT ANGLE, PC THRU-HOLE

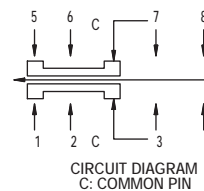
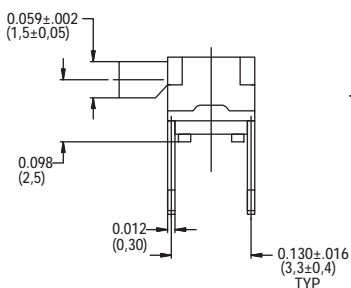
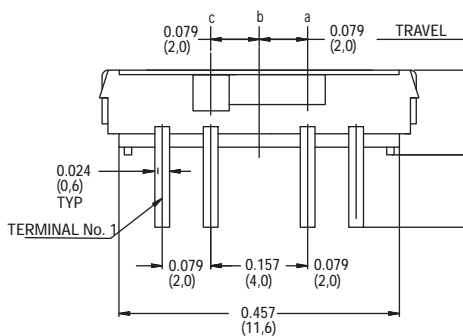


Slide



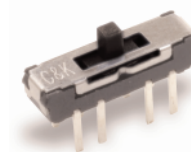
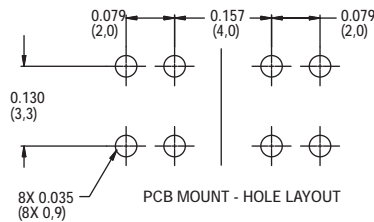
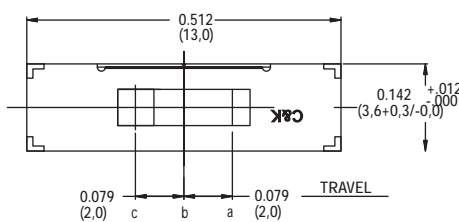
Part Number  
JS203011AQN  
DP3T

Shown in position b



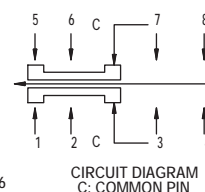
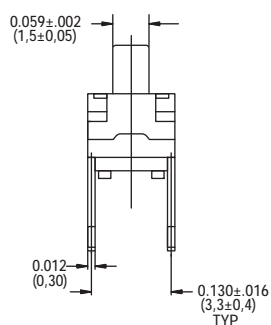
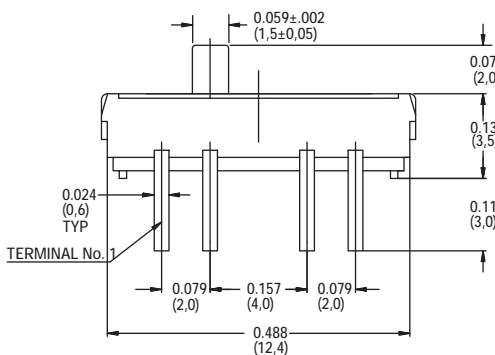
Shown in position c

PC THRU-HOLE



Part Number  
JS203011CQN  
DP3T

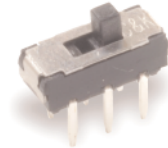
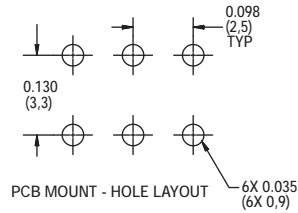
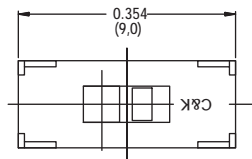
Shown in position b



Shown in position c

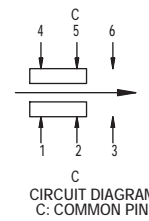
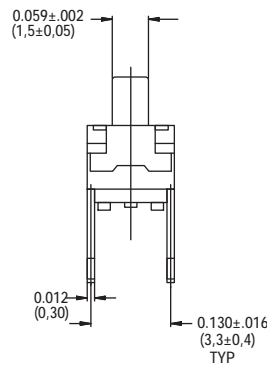
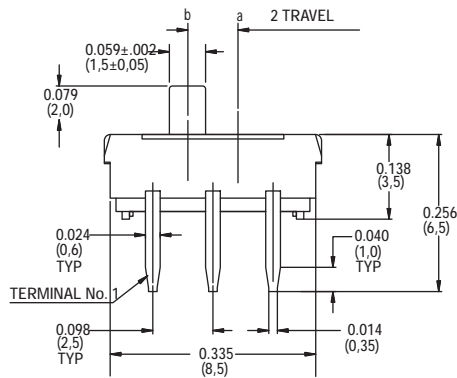
# JS Series Sub-Miniature Slide Switches

## PC THRU-HOLE

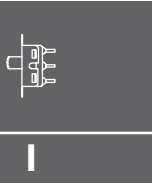


Part Number  
JS202011CQN  
DPDT

Shown in position a

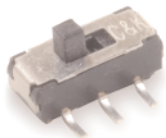


Shown in position b



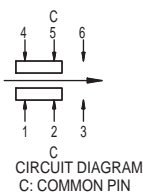
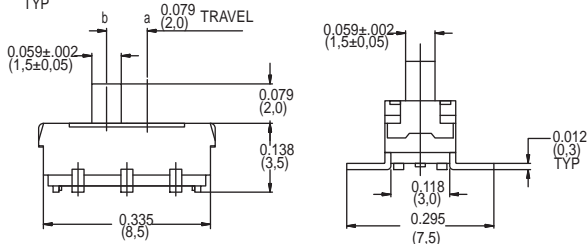
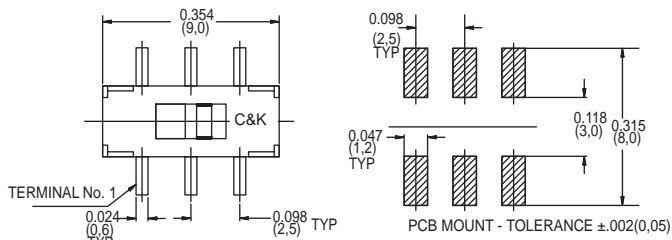
Slide

## SURFACE MOUNT



Part number  
JS203011SCQN  
DP3T

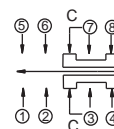
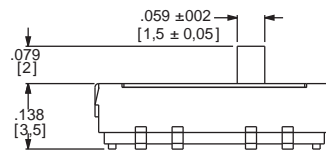
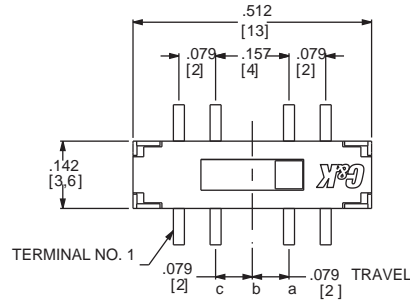
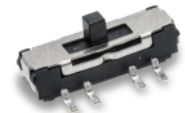
Shown in position b. Quantity per reel 1000  
Available in tape & reel only, see page I-58



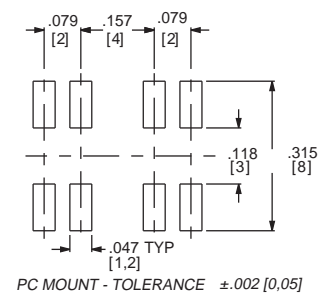
Shown in position b

Part number  
JS203011SCQN  
DP3T

Quantity per reel 900  
Available in tape & reel only, see page I-60



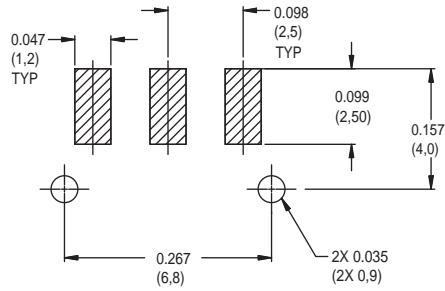
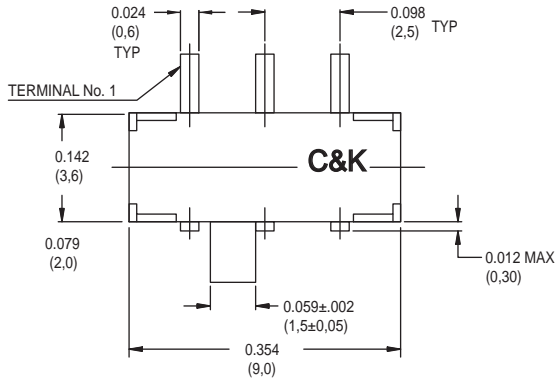
Shown in position a



Third Angle  
Projection  
Dimensions are shown: Inches (mm)  
Specifications and dimensions subject to change

# JS Series Sub-Miniature Slide Switches

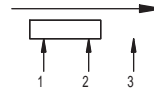
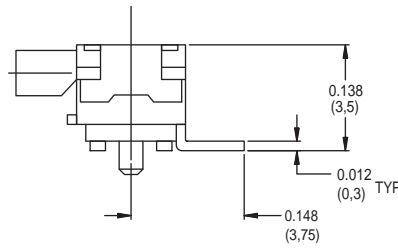
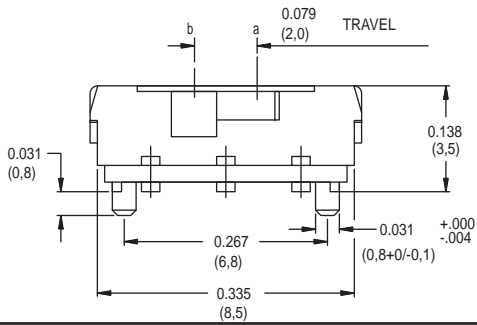
RIGHT ANGLE SURFACE MOUNT



Part Number  
JS102011SAQN  
SPDT

Shown in position a

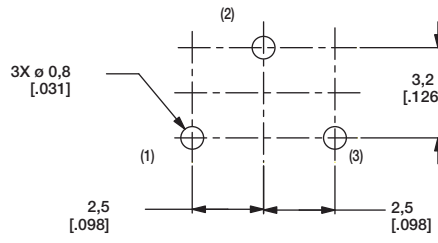
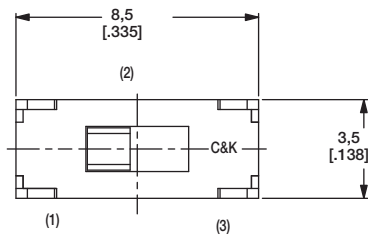
Available in tape & reel only, see page I-59



CIRCUIT DIAGRAM  
C: COMMON PIN  
Shown in position b

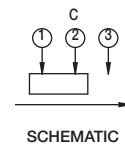
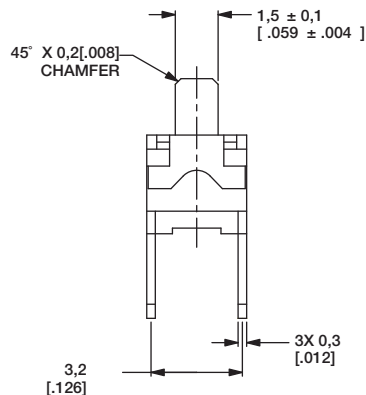
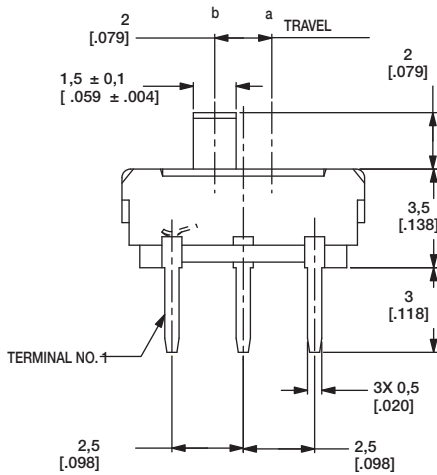
Slide

PC THRU-HOLE



Part Number  
JS102011CQN  
SPDT

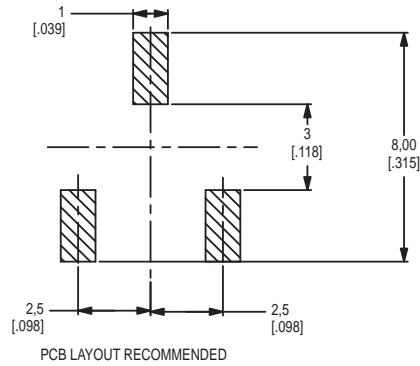
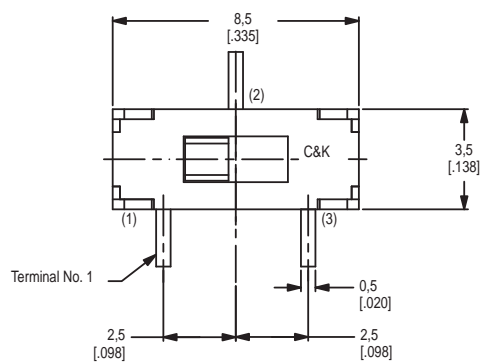
Shown in position a



Shown in position b

# JS Series Sub-Miniature Slide Switches

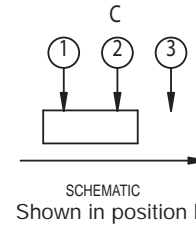
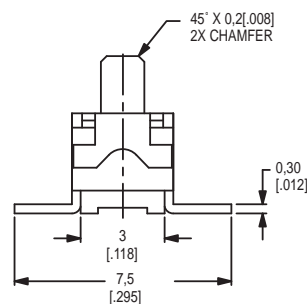
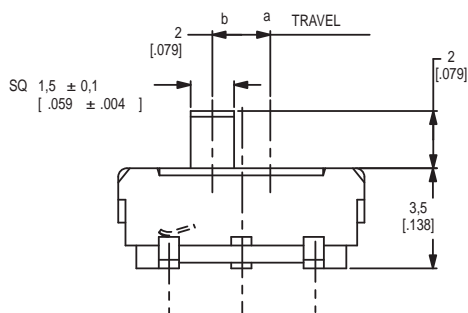
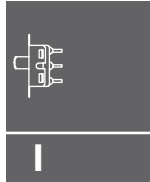
## SURFACE MOUNT



Part Number  
JS102011SCQN  
SPDT

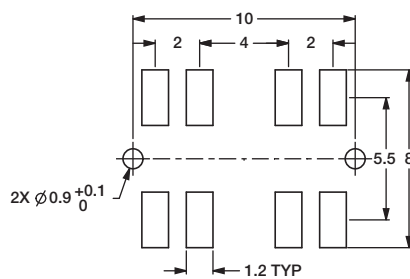
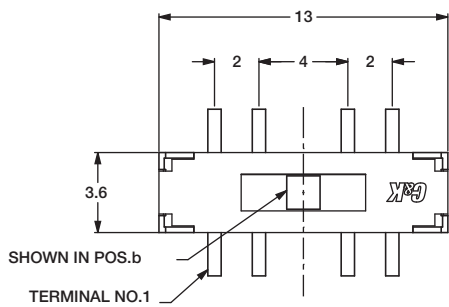
Shown in position a

Available in tape & reel  
only, see page I-59

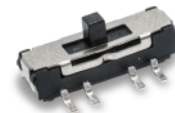
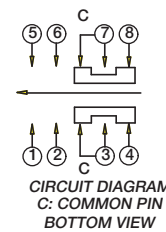


Slide

## SURFACE MOUNT

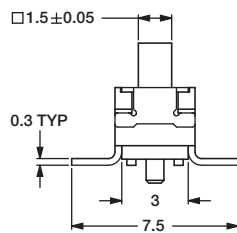
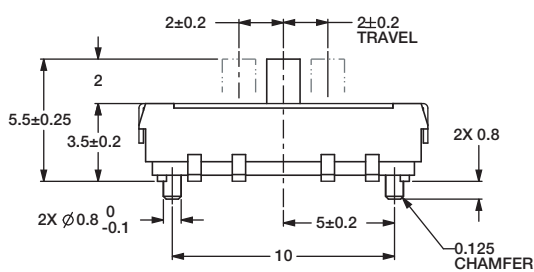


PC MOUNT - TOLERANCE ± .05



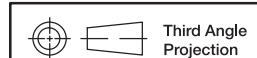
Part Number  
JS207011SCQNR  
DP3T

Shown in position b



SWITCH FUNCTION		
POS.c	POS.b	POS.a
C&K	C&K	C&K
(MOM)	ON	ON
CONNECTED TERMINALS		
1-3,5-7	2-3,6-7	3-4,7-8

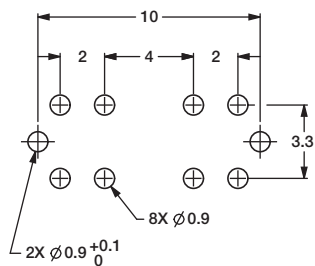
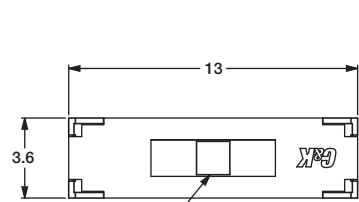
Available in tape & reel  
only, see page I-58



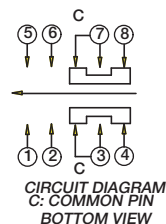
Dimensions are shown: Inches (mm)  
Specifications and dimensions subject to change

# JS Series Sub-Miniature Slide Switches

## PC THRU-HOLE



PC MOUNT - TOLERANCE  $\pm .05$

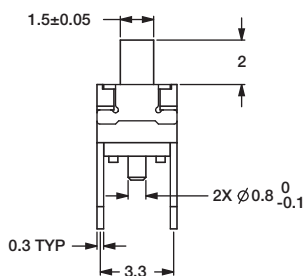
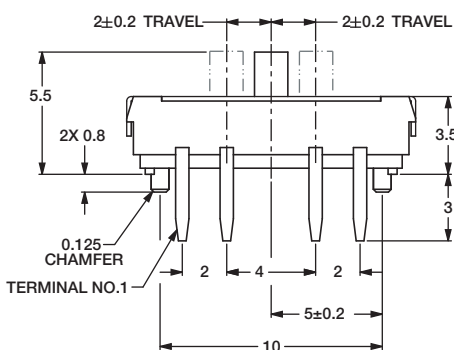


SWITCH FUNCTION		
POS.c	POS.b	POS.a
(MOM)	ON	ON
CONNECTED TERMINALS		
1-3,5-7	2-3,6-7	3-4,7-8



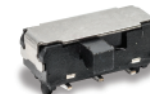
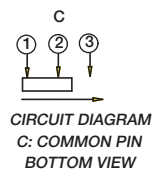
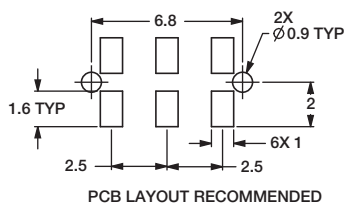
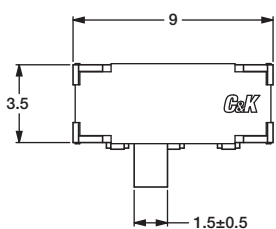
Part Number  
JS207011CQNR  
DP3T

Shown in position b



Slide

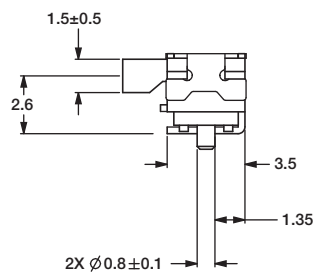
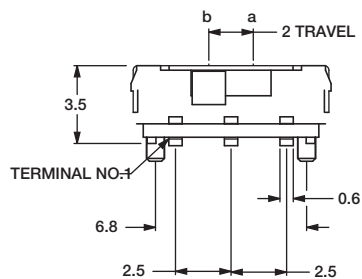
## RIGHT ANGLE SURFACE MOUNT



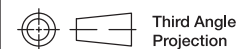
Part Number  
JS102011JAQN  
SPDT

Shown in position

Available in tape & reel only, see page I-59



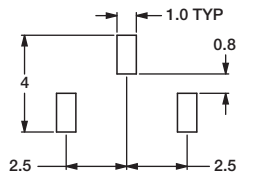
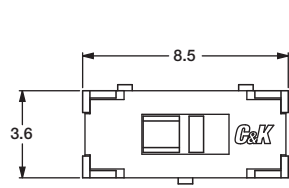
29 jun 16



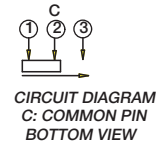
Dimensions are shown: mm  
Specifications and dimensions subject to change

# JS Series Sub-Miniature Slide Switches

## VERTICAL MOUNT SMT - J BEND

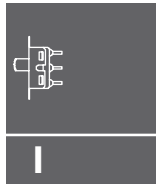


PCB LAYOUT RECOMMENDED

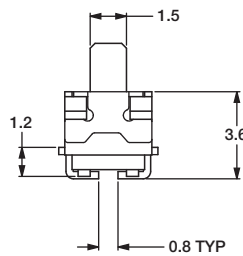
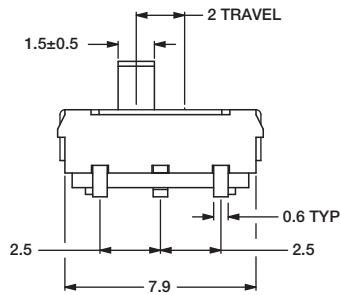


**NEW**  
Part Number  
JS102011JCON  
SPDT

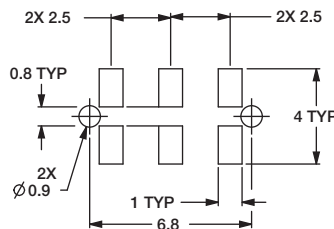
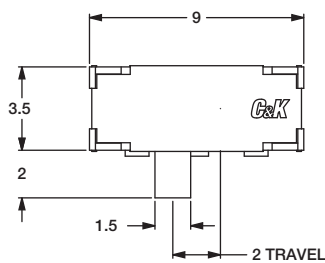
Available in tape & reel  
only, see page I-59



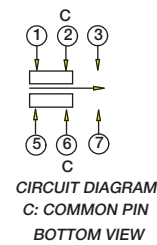
Slide



## RIGHT ANGLE SURFACE MOUNT



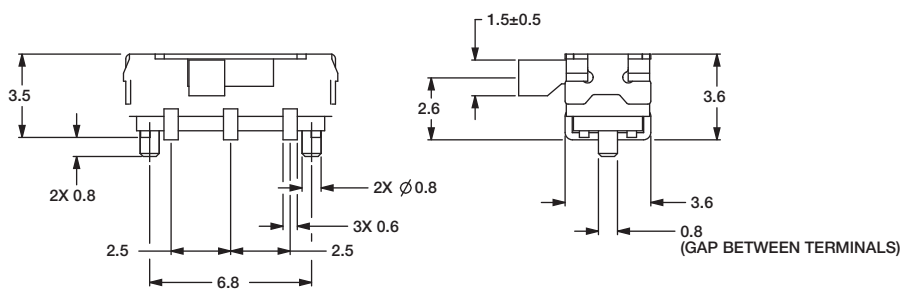
PCB LAYOUT RECOMMENDED



**NEW**  
Part Number  
JS202011JAQN  
DPDT

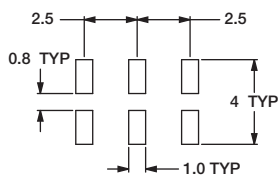
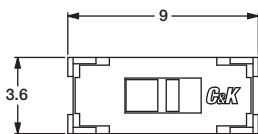
Shown in position

Available in tape & reel  
only, see page I-61

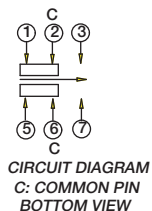


# JS Series Sub-Miniature Slide Switches

## VERTICAL MOUNT SMT - J BEND



PCB LAYOUT RECOMMENDED

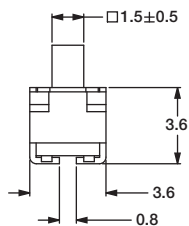
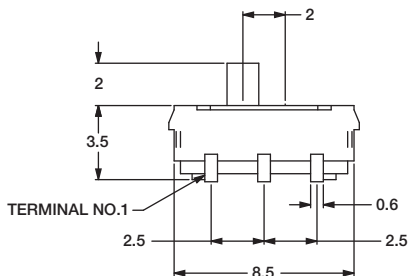


**NEW**

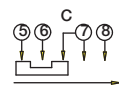
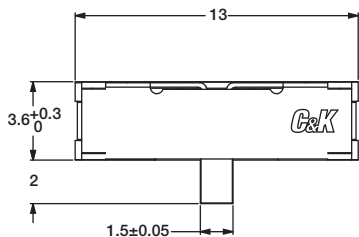
Part Number  
JS202011JCQN  
DPDT

Shown in position

Available in tape & reel  
only, see page I-61



## RIGHT ANGLE MOUNT SMT - J BEND



SCHEMATIC  
C: COMMON PIN

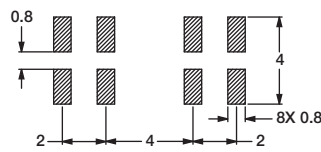
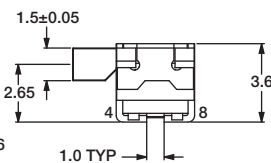
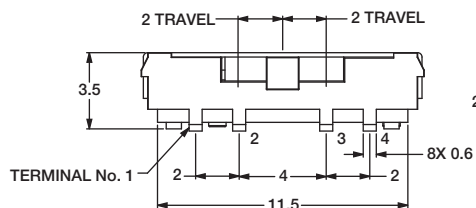


**NEW**

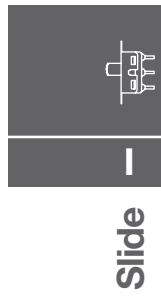
Part Number  
JS203011JAQN  
DP3T

Shown in position

Available in tape & reel  
only, see page I-60



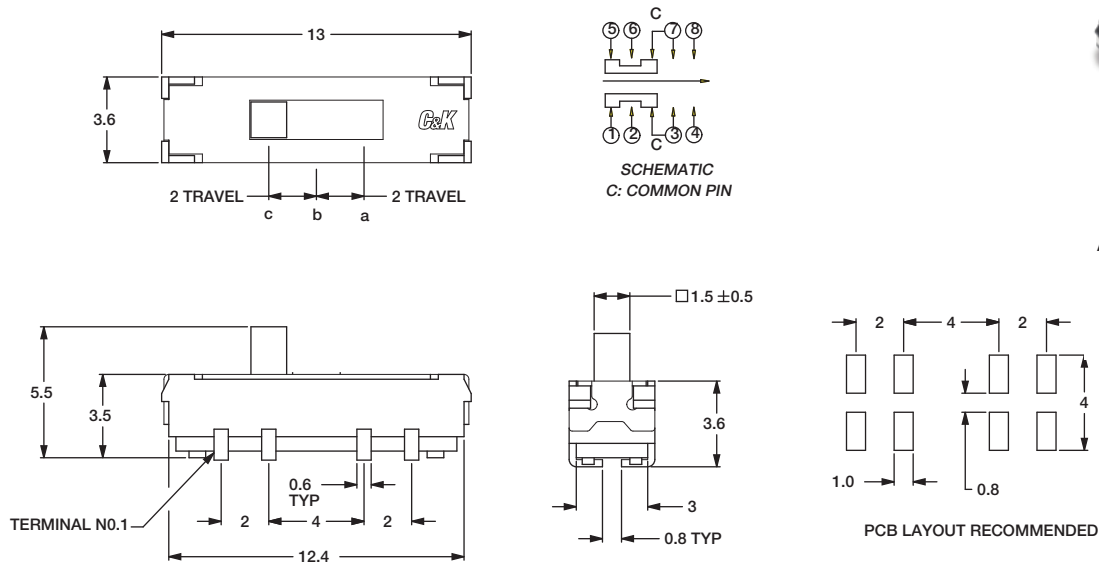
PCB LAYOUT RECOMMENDED



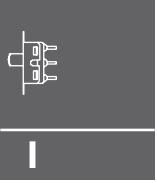


# JS Series Sub-Miniature Slide Switches

## VERTICAL MOUNT SMT - J BEND

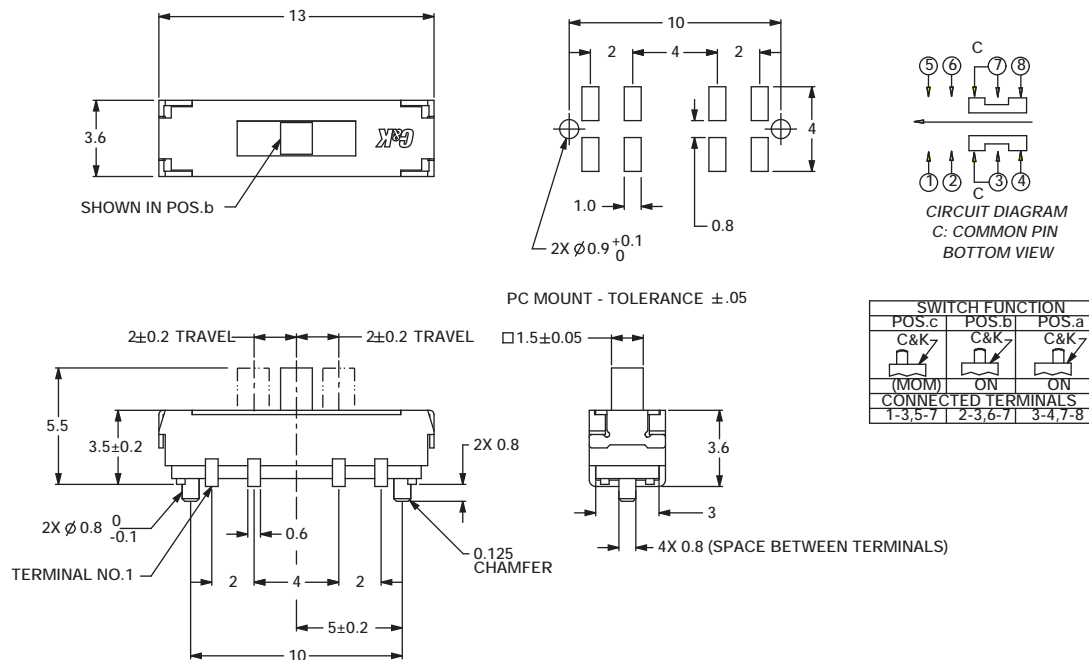


NEW



Slide

## SURFACE MOUNT - J BEND



NEW

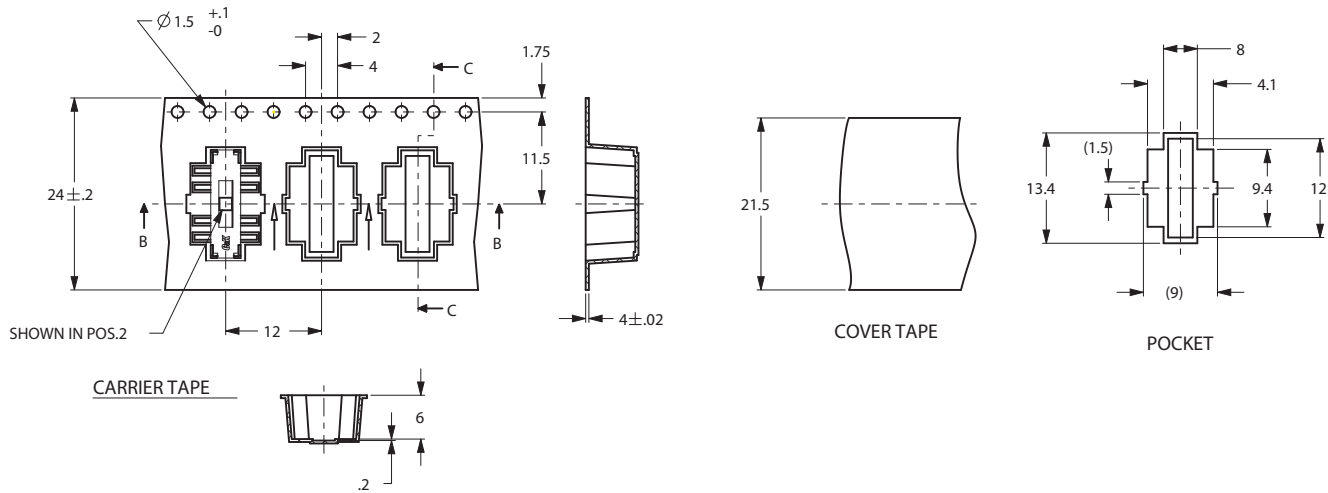
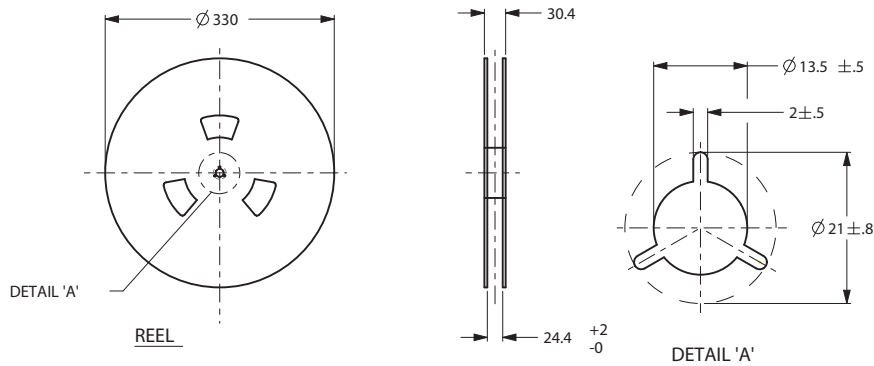


# JS Series Sub-Miniature Slide Switches

TAPE AND REEL FOR PART NUMBER JS207011SCQNR, JS207011JCQNR

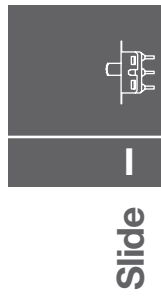
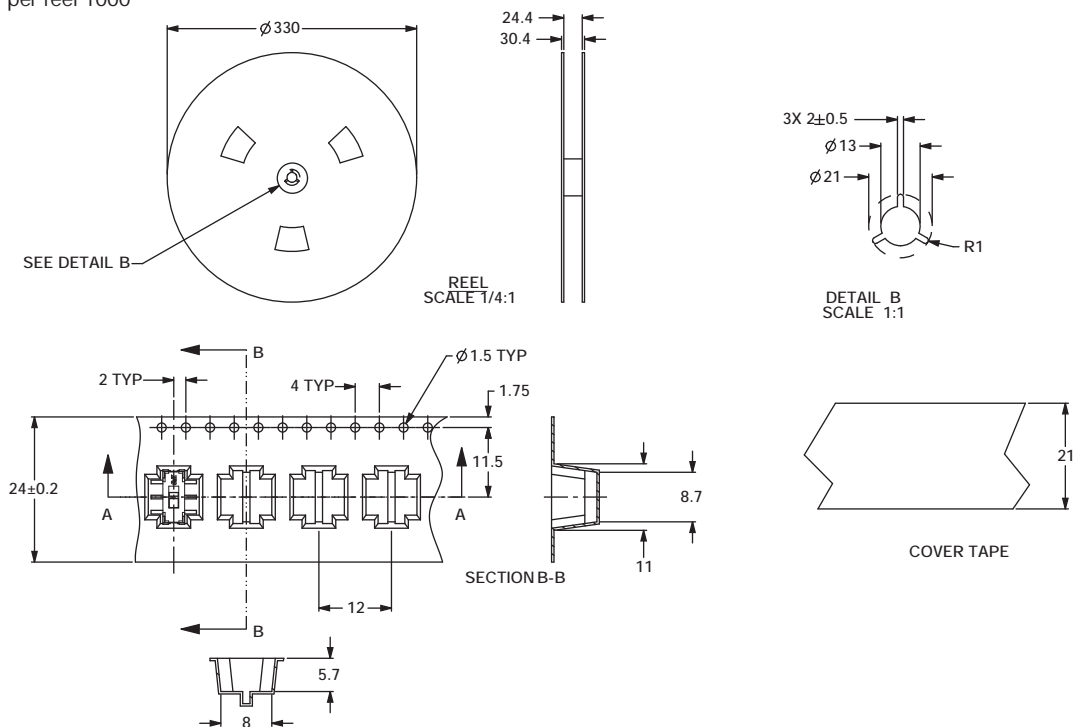
Quantity per reel 800

PACKING DETAIL 800 PCS



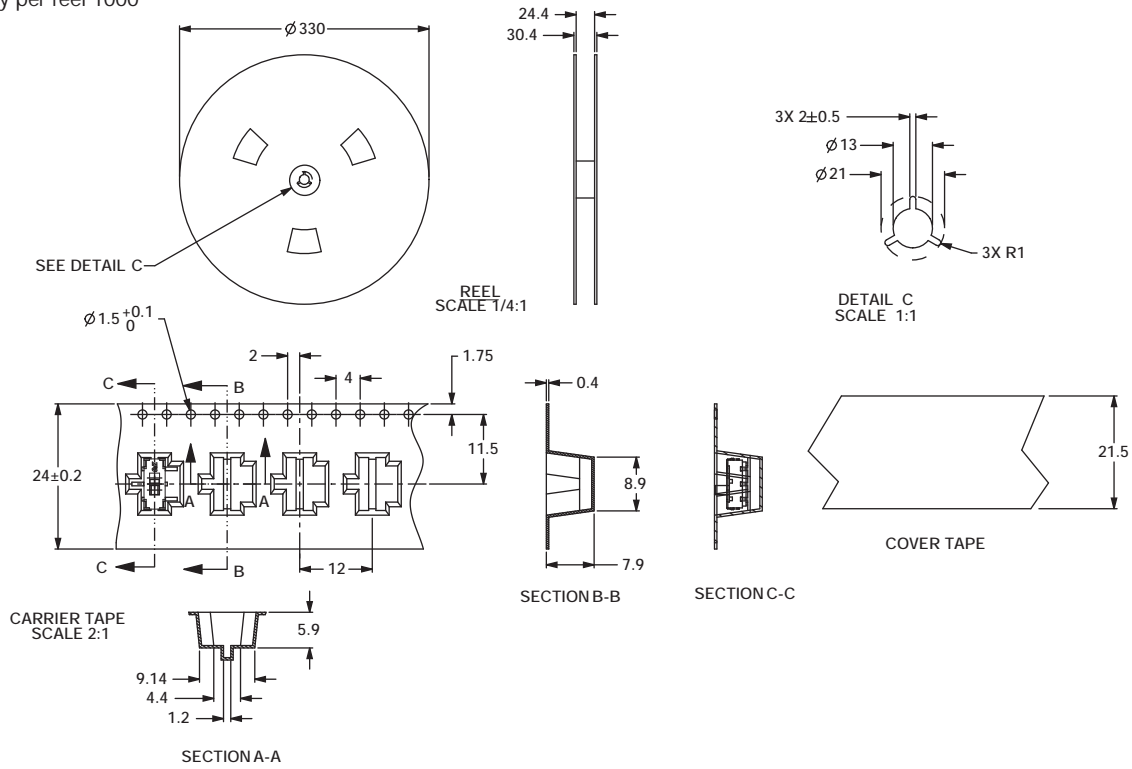
TAPE AND REEL FOR PART NUMBER JS202011SCQN

Quantity per reel 1000



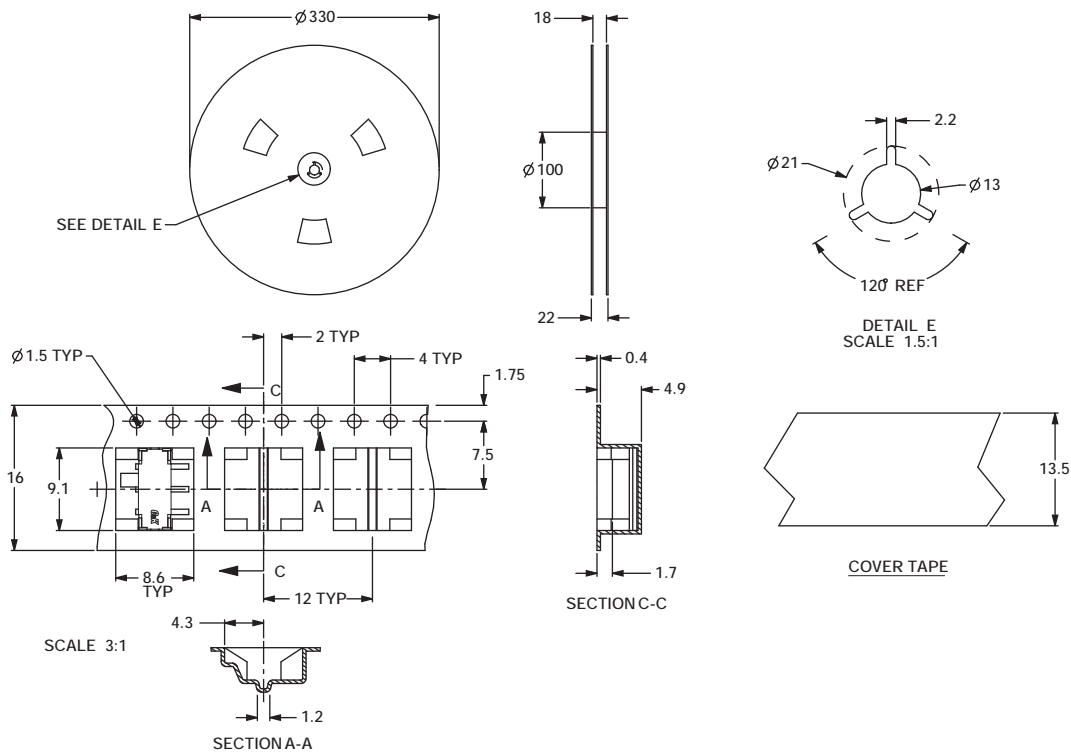
# JS Series Sub-Miniature Slide Switches

TAPE AND REEL FOR  
PART NUMBER JS102011SCQN, JS102011JCQN  
Quantity per reel 1000



TAPE AND REEL FOR PART NUMBER JS102011SAQN, JS102011JAQN

Quantity per reel 1000

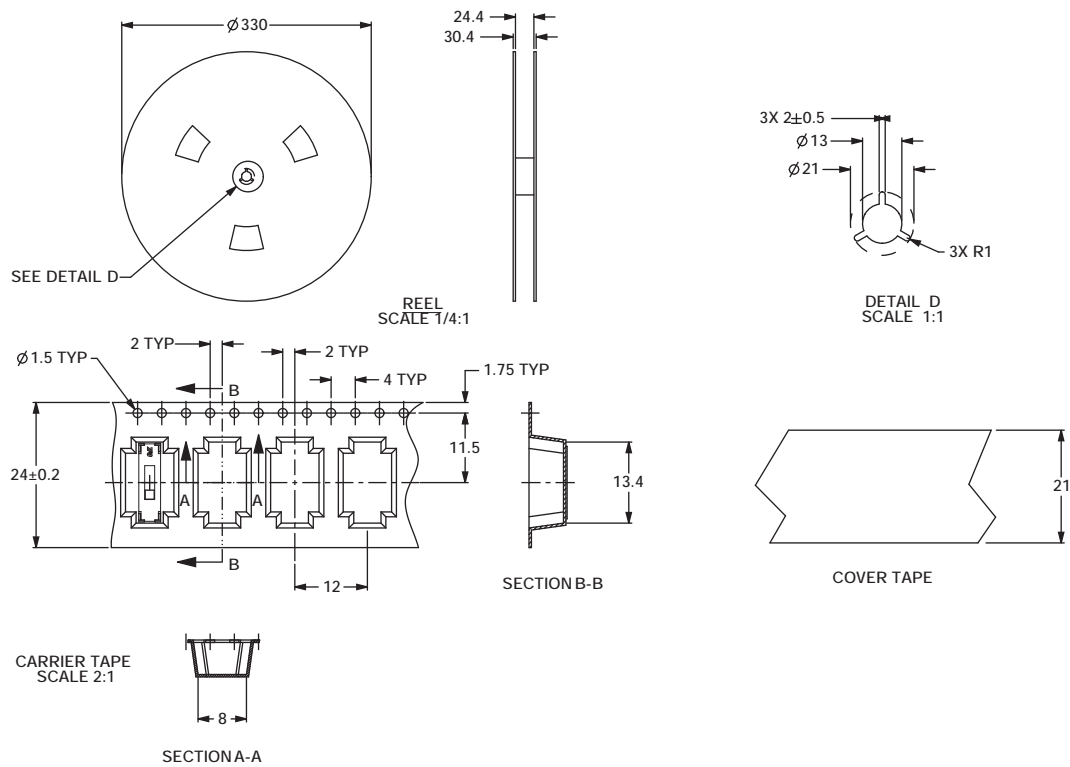


Dimensions are shown: mm  
Specifications and dimensions subject to change



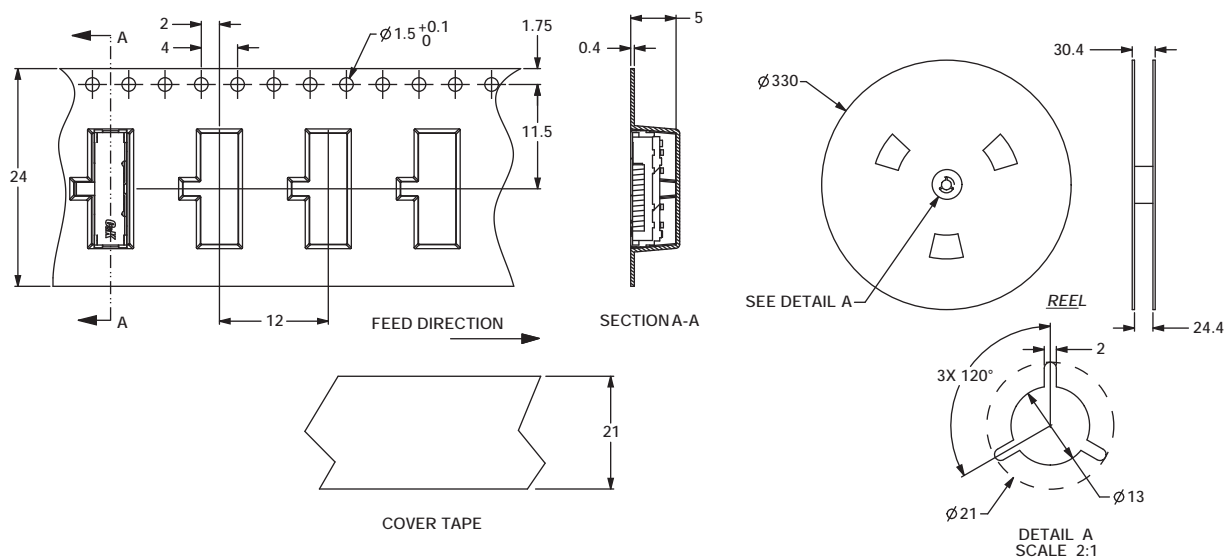
# JS Series Sub-Miniature Slide Switches

TAPE AND REEL FOR PART NUMBER JS203011SCQN, JS203011JCQN  
Quantity per reel 900



TAPE AND REEL FOR PART NUMBER JS203011JAQN

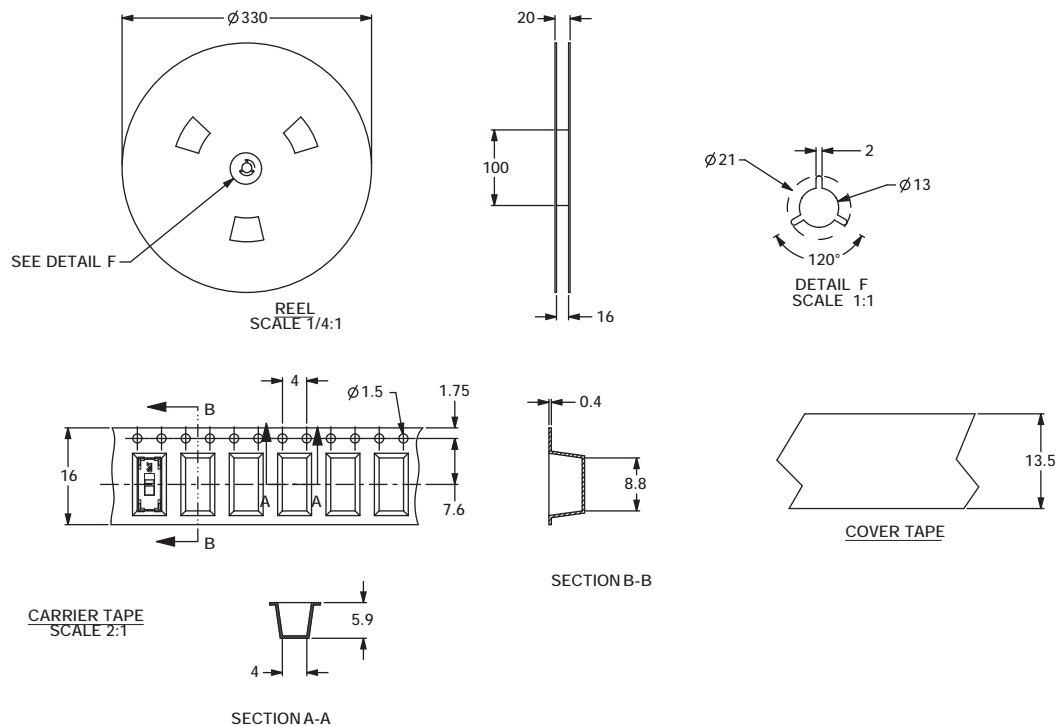
Quantity per reel 1000



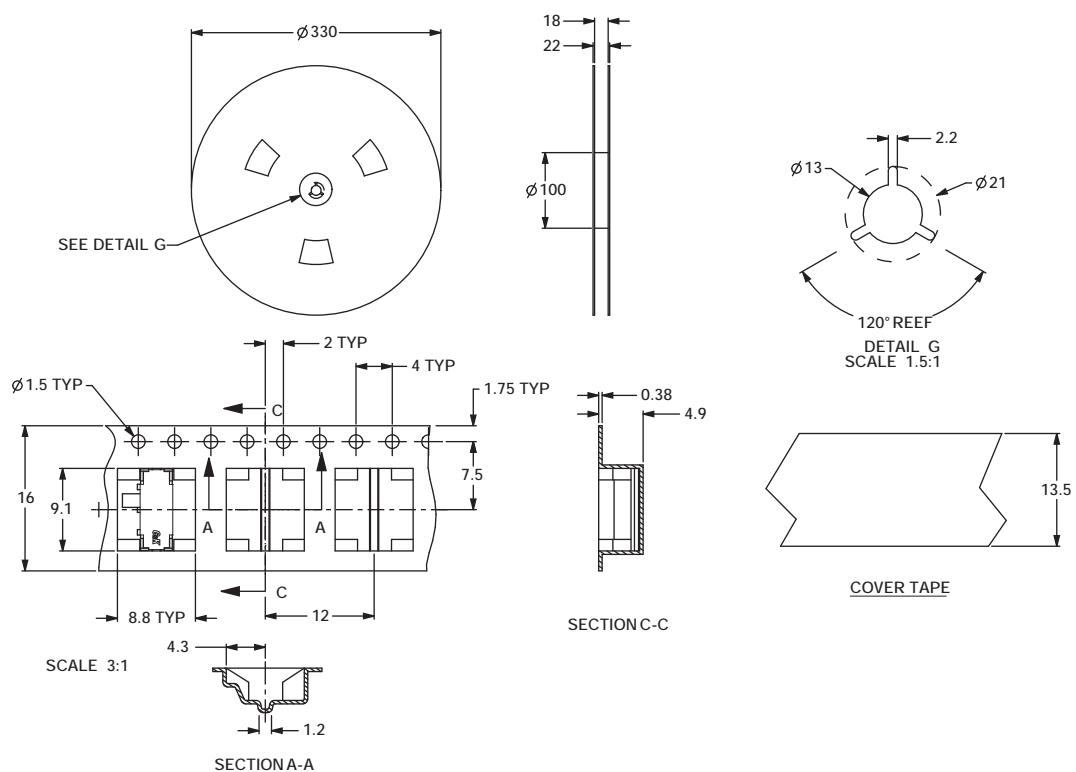
Dimensions are shown: mm  
Specifications and dimensions subject to change

# JS Series Sub-Miniature Slide Switches

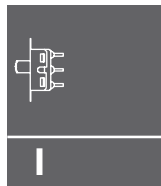
TAPE AND REEL FOR  
PART NUMBER JS202011JCQN  
Quantity per reel 1300



TAPE AND REEL FOR PART NUMBER JS202011JAQN  
Quantity per reel 1000



Dimensions are shown: mm  
Specifications and dimensions subject to change



Slide

# JS Series Sub-Miniature Slide Switches

RIGHT ANGLE SURFACE MOUNT  
LOW PROFILE .028±.004 (0.7±0.1) HIGH



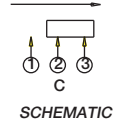
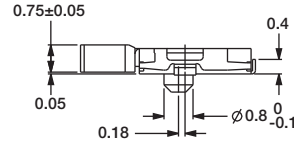
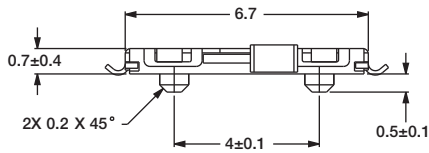
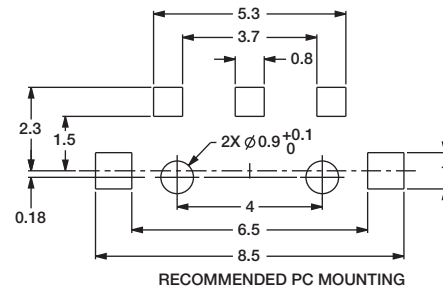
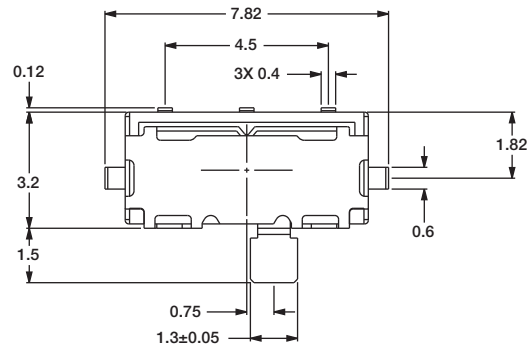
Part Number  
JS102000SAQN  
SPDT

## Specifications

CONTACT RATING: 5 VDC @ 1MA  
ELECTRICAL LIFE: 15,000 cycles.  
CONTACT RESISTANCE: <100 m ohms (initial) <200 m ohms (after processing).  
INSULATION RESISTANCE: 100 m ohms @500 VDC.  
DIELECTRIC STRENGTH: 250 VAC.  
OPERATING TEMPERATURE: -40°C to +85°C



Slide



TAPE AND REEL FOR PART NUMBER JS102000SAQN

Quantity per reel 4000

