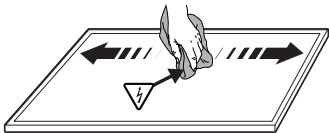
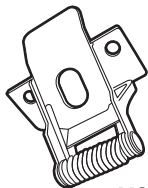


Note: Due to problems with chemical resistance, choose cleaning materials which are suitable for plastic.



Cleaning Instructions

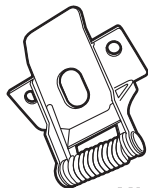
Part No. 52928



6X

For use on 40W LED Panel
1200x300/1250x312.5

Part No. 52926




4X

For use on 40W LED Panel
600x600/625x625

Company Details

- EUROPE/ MIDDLE EAST/ AFRICA: Verbatim GmbH, Düsseldorfer Straße 13, 65760 Eschborn/Germany
- AMERICAS: USA Verbatim Americas LLC, Charlotte, NC
- AUSTRALIA/ NEW ZEALAND: Verbatim Australia Pty Ltd, Unit 6, 450 Princes Highway, Noble Park, Victoria, 3174 Australia
Tel: +61 3 9790 8999 Fax: +61 3 9790 8955
Email: support@verbatim.com.au

委製商/香港銷售公司：香港威寶有限公司
 公司地址：香港九龍尖沙咀東部加連威老道92號
 幸福中心1101-2室
 銷售公司：威寶國際貿易(深圳)有限公司
 公司地址：深圳市福田區泰然九路海松大廈B座1406室

*"VERBATIM" and  are trademarks, please refer to
www.verbatim.com/trademarks

Made in China
 Fabriqué en Chine
 Сделано в Китае
 原產地：中國
 原產地：中國

www.verbatim.com

1703-823

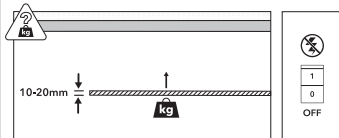
Recessed-mounted clips for 40W LED Panels

Instruction Manual

Part numbers: 52926, 52928

 Verbatim.

1 Installation Procedure

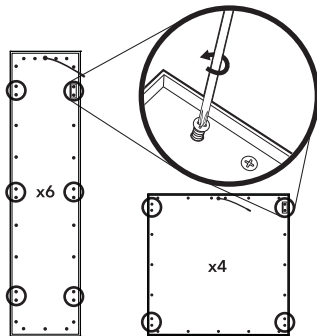


2 Ceiling Cut out Dimensions for LED Panels

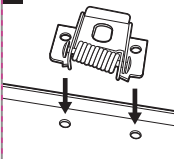


52926	
575 x 575mm	600 x 600mm LED Panel
600 x 600mm	625 x 625mm LED Panel
52928	
1175 x 275mm	1200 x 300mm LED Panel
1225 x 287.5mm	1250 x 312.5mm LED Panel

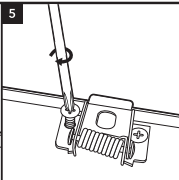
3



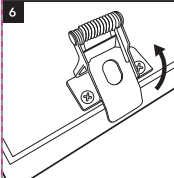
4



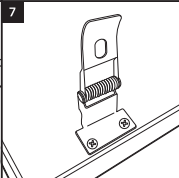
5



6

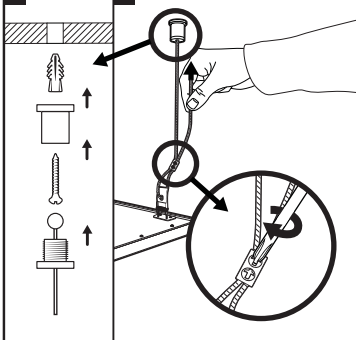


7

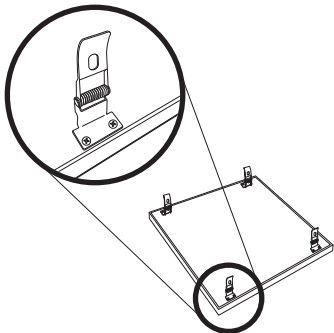


8

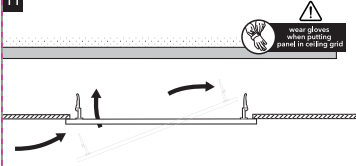
9



10



11



12

