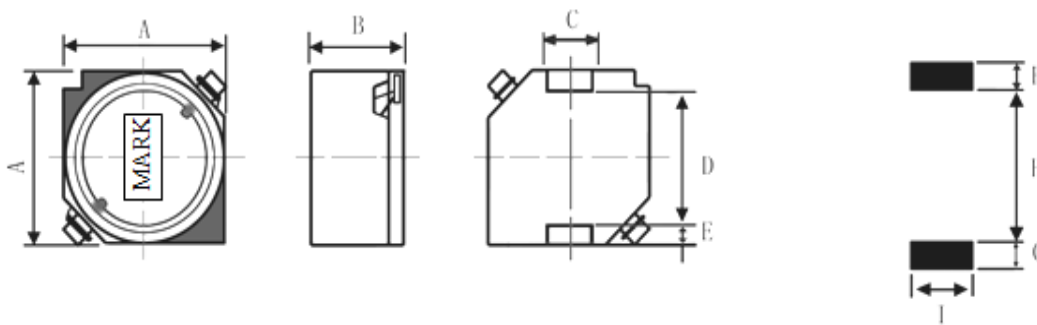
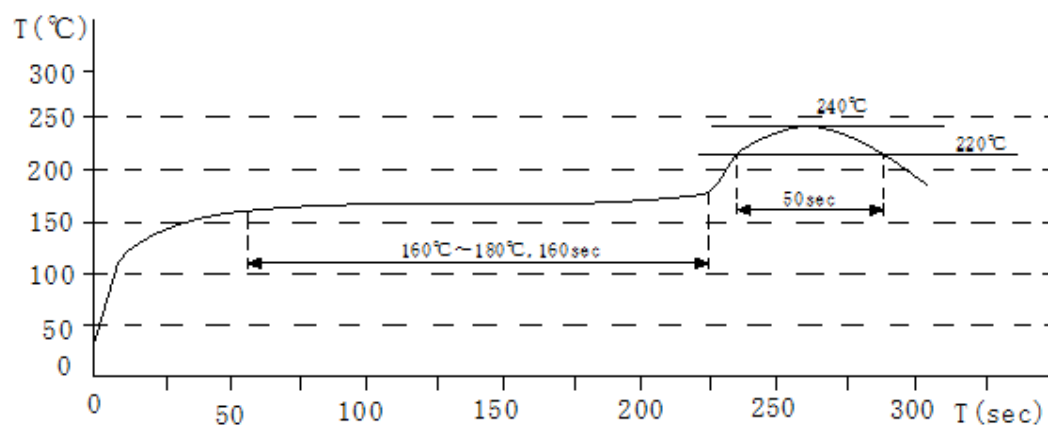


Shape And Dimensions



UNIT:mm	No Tube
A	7.2MAX
B	4.8MAX
C	2
D	4
E	2.0
F	2.0
G	2.0
H	3.5
I	2.2

Welding temperature diagram



PART No.	NOMINAL INDUCTANCE (uH)	DCR (Ω)MAX	IDC (A)MAX
D DER0705-001	1.0	15.00m	3.00
D DER0705-001.8	1.8	18.00m	2.60
D DER0705-002.2	2.2	20.00m	2.40
D DER0705-003.3	3.3	26.00m	2.28
D DER0705-004.7	4.7	33.00m	2.00
D DER0705-010	10	52.00m	1.70
D DER0705-012	12	58.00m	1.55
D DER0705-015	15	70.00m	1.40
D DER0705-018	18	78.00m	1.30
D DER0705-022	22	86.00m	1.20
D DER0705-027	27	111.00m	1.10
D DER0705-033	33	125.00m	1.03
D DER0705-039	39	137.00m	930m
D DER0705-047	47	156.00m	850m
D DER0705-056	56	208.00m	750m
D DER0705-068	68	254.00m	680m
D DER0705-082	82	273.00m	600m
D DER0705-100	100	319.00m	530m
D DER0705-120	120	432.00m	450m
D DER0705-150	150	501.00m	400m
D DER0705-180	180	715.00m	380m
D DER0705-220	220	813.00m	330m
D DER0705-270	270	904.00m	300m
D DER0705-330	330	1.01	270m
D DER0705-390	390	1.37	260m
D DER0705-470	470	1.56	250m
D DER0705-560	560	1.76	230m
D DER0705-680	680	2.86	210m
D DER0705-820	820	3.25	190m
D DER0705-1000	1000	3.77	170m