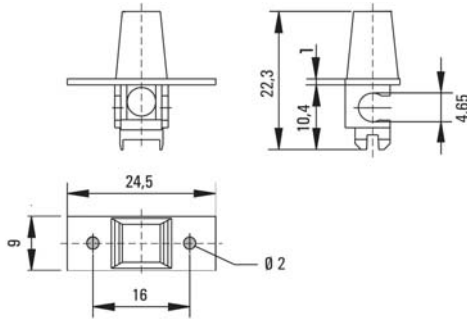


# Adapter / No. 640

**RoHS**


**Mounting**

Hand adapter can be optionally used with Holder No. 646 and 647

**Materials**

Adapter: Polyester PBT, UL94 V-0

**Unit Weight**

1.0g

**Packaging**

Bulk (5000 pcs.)

## Colours

|                |     |
|----------------|-----|
| Adapter black  | 100 |
| Adapter brown  | 140 |
| Adapter white  | 150 |
| Adapter yellow | 160 |
| Adapter green  | 170 |
| Adapter blue   | 190 |